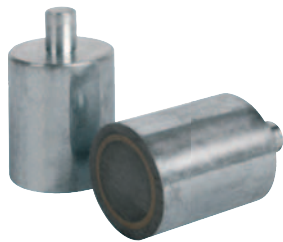


Magnets deep pot with pin

AlNiCo



Material:

Housing, steel.
Magnetic core AlNiCo.

Version:

Electro zinc-plated.

Sample order:

nIm 09063-01

Note:

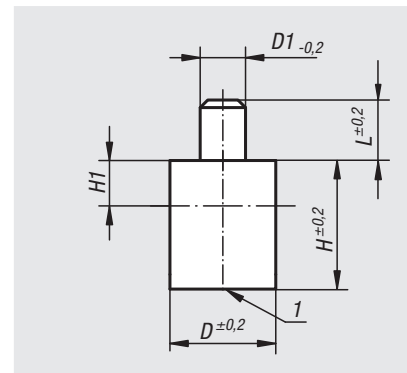
Deep pot magnets with smooth pin, shielded system.
The magnets can be shortened by the dimension "H1"
with no loss of magnetic force.

Temperature range:

max. 450°C.

Drawing reference:

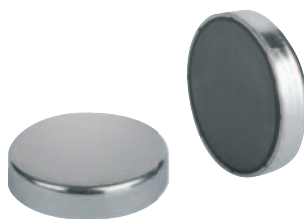
1) magnetic face



Order No.	D	D1	L	H	H1	Magnetic force N
09063-01	6	3	8	20	2	1,7
09063-02	8	3	8	20	3	4
09063-03	10	4	8	20	6	8,5
09063-04	13	4	8	20	7	12
09063-05	16	5	8	20	5	20
09063-06	20	6	8	25	6	50
09063-07	25	8	10	35	5	115
09063-08	32	10	10	40	3	200
09063-09	40	15	20	50	5	240
09063-10	50	18	25	60	2	420

Magnets shallow pot

hard ferrite



Material:

Housing, steel.
Magnetic core hard ferrite.

Version:

Housing, electro zinc-plated.

Sample order:

nIm 09064-01

Note:

Shallow pot magnets without threaded bush. These magnets are pressed or glued into the receiving holes.

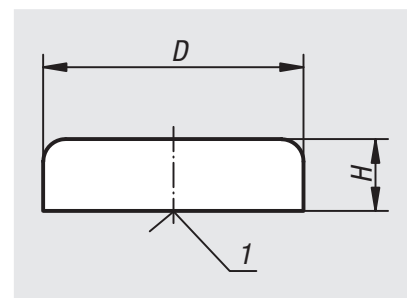
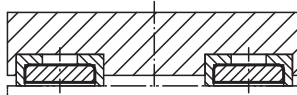
Hairline cracks in the magnetic material are unavoidable for technical reasons in the D=80 version. They do not impair the attracting function of the magnets in any way.

Temperature range:

max. 200°C.

Drawing reference:

1) magnetic face



Order No.	D	H	Magnetic force N
09064-01	10 ±0,15	4,5	4
09064-02	13 ±0,15	4,5	10
09064-03	16 ±0,15	4,5	18
09064-04	20 ±0,15	6	30
09064-05	25 ±0,15	7	40
09064-06	32 ±0,20	7	80
09064-07	40 ±0,20	8	125
09064-08	50 ±0,20	10	220
09064-09	63 ±0,20	14	350
09064-10	80 ±0,25	18	600