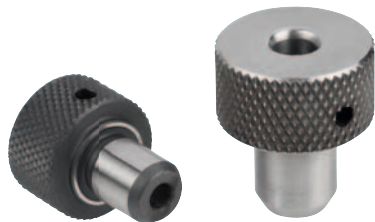


Drill bushes push-in

DIN 173

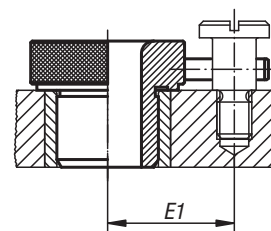
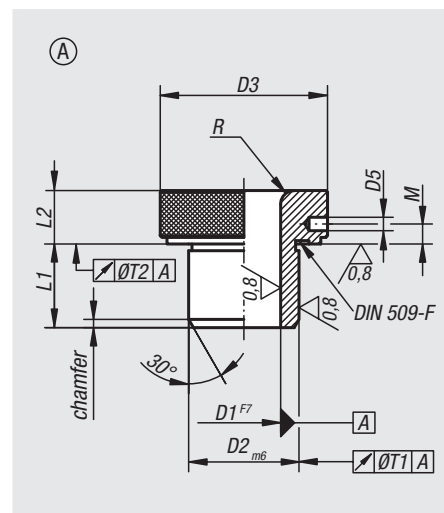


Material:
Special steel

Version:
Hardened to 780 ± 40 HV 10 and ground.
Without lead-in groove.

Sample order:
nlm 08920-A1000X15
(bush Form A with $D1 = 10$ mm and $D2 = 15$ mm)

Note:
All bushes have the bore size marked on the upper face, e.g. 10.
Diameters $D1$ over 15 mm increase in size by 0.5 mm.
Supplied with matching retaining pin.



D1	D2	D3	D5	M	L1	L2	E1 centre spacing to shoulder screws	R	T1	T2
from 2.5 to 4.0	8	16	2,5	4	10	10	15	3	0,02	0,005
from 4.1 to 6.0	10	19	2,5	4	12	10	16,5	3	0,02	0,005
from 6.1 to 8.0	12	22	3	4	12	12	19,5	4	0,02	0,005
from 8.1 to 10.0	15	26	3	4	16	12	21,5	5	0,02	0,005
from 10.1 to 12.0	18	30	3	4	16	12	23,5	5	0,02	0,005
from 12.1 to 15.0	22	35	5	5	20	16	28	5	0,02	0,005
from 15.5 to 18.0	26	40	5	5	20	16	30,5	5	0,02	0,005
from 18.5 to 22.0	30	47	5	5	20	16	34	6	0,02	0,005
from 22.5 to 26.0	35	55	6	6	25	20	38	6	0,04	0,008
from 26.5 to 30.0	42	62	6	6	25	20	41,5	6	0,04	0,008
from 30.5 to 35.0	48	69	6	6	30	20	45	8	0,04	0,008
from 35.5 to 42.0	55	77	6	6	30	20	49	8	0,04	0,008
from 42.5 to 48.0	62	85	8	7,5	35	20	53	8	0,04	0,008

Drill bushes push-in

DIN 173-1



Material:
Special steel

Version:
Hardened to 780 ±40 HV 10 and ground.

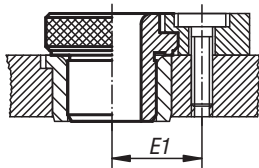
Sample order:
nlm 08920-K0400X16
(bush Form K D1 = 4 mm and L1 = 16 mm)

Note:
All bushes have the bore size marked on the upper face, e.g. 15 F7.
Form K are quick-change bushes. Dowels or coiled spring pins together with DIN 173-1 flathead screws can be used in place of the stop pin.

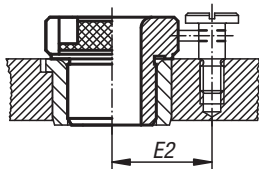
The bayonet mount is secured with DIN 173-1 drill bush clamps together with DIN 912 socket head screws.

E2 = Hole spacing when using dowels or coiled spring pins.

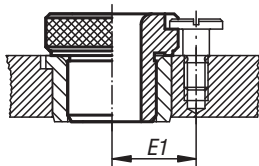
Diameter D1 over 15 mm increase in size by 0.5 mm.



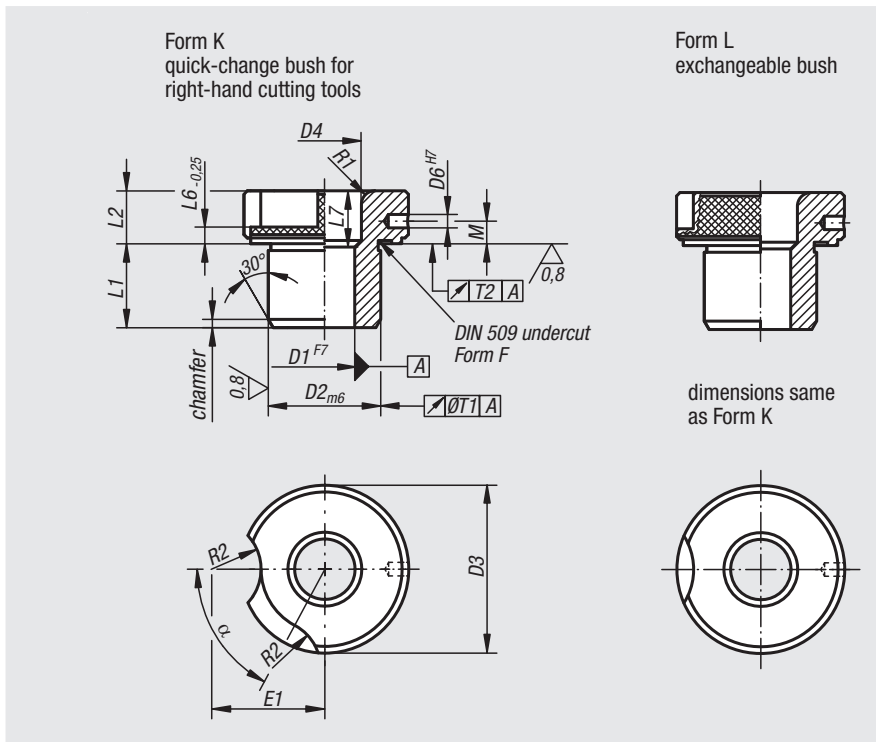
Quick-change drill bush Form K with DIN 172 bush with collar or DIN 179 bush



Quick-change drill bush Form K with DIN 172 bush with collar or DIN 179 bush



Exchangeable drill bush Form L with DIN 172 bush with collar or DIN 179 bush



D1	Product type	D2	D3	D4	D6	L1	L2	L6	L7	M	T1	T2	R1	R2	E1	E2	α
from 2.3 to 4.0	short	8	15	-	2,5	10	8	3	-	4,25	0,02	0,005	1,5	7	11,5	15	65°
from 2.3 to 4.0	medium	8	15	4,5	2,5	16	8	3	6	4,25	0,02	0,005	1,5	7	11,5	15	65°
from 4.1 to 6.0	short	10	18	-	2,5	12	8	3	-	4,25	0,02	0,005	2	7	13	17	65°
from 4.1 to 6.0	medium	10	18	6,5	2,5	20	8	3	8	4,25	0,02	0,005	2	7	13	17	65°
from 4.1 to 6.0	long	10	18	6,5	2,5	25	8	3	13	4,25	0,02	0,005	2	7	13	17	65°
from 6.1 to 8.0	short	12	22	-	3	12	10	4	-	6	0,02	0,005	2	8,5	16,5	20	60°
from 6.1 to 8.0	medium	12	22	8,5	3	20	10	4	8	6	0,02	0,005	2	8,5	16,5	20	60°
from 6.1 to 8.0	long	12	22	8,5	3	25	10	4	13	6	0,02	0,005	2	8,5	16,5	20	60°
from 8.1 to 10.0	short	15	26	-	3	16	10	4	-	6	0,02	0,005	2	8,5	18	22	50°
from 8.1 to 10.0	medium	15	26	10,5	3	28	10	4	12	6	0,02	0,005	2	8,5	18	22	50°
from 8.1 to 10.0	long	15	26	10,5	3	36	10	4	20	6	0,02	0,005	2	8,5	18	22	50°
from 10.1 to 12.0	short	18	30	-	3	16	10	4	-	6	0,02	0,005	2	8,5	20	24	50°
from 10.1 to 12.0	medium	18	30	12,5	3	28	10	4	12	6	0,02	0,005	2	8,5	20	24	50°
from 10.1 to 12.0	long	18	30	12,5	3	36	10	4	20	6	0,02	0,005	2	8,5	20	24	50°
from 12.1 to 15.0	short	22	34	-	5	20	12	5,5	-	7	0,02	0,005	3	10,5	23,5	28	35°
from 12.1 to 15.0	medium	22	34	15,5	5	36	12	5,5	16	7	0,02	0,005	3	10,5	23,5	28	35°
from 12.1 to 15.0	long	22	34	15,5	5	45	12	5,5	25	7	0,02	0,005	3	10,5	23,5	28	35°
from 15.5 to 18.0	short	26	39	-	5	20	12	5,5	-	7	0,02	0,005	3	10,5	26	31	35°
from 15.5 to 18.0	medium	26	39	19	5	36	12	5,5	16	7	0,02	0,005	3	10,5	26	31	35°
from 15.5 to 18.0	long	26	39	19	5	45	12	5,5	25	7	0,02	0,005	3	10,5	26	31	35°
from 18.5 to 22.0	short	30	46	-	5	25	12	5,5	-	7	0,02	0,005	3	10,5	29,5	35	30°
from 18.5 to 22.0	medium	30	46	23	5	45	12	5,5	20	7	0,02	0,005	3	10,5	29,5	35	30°
from 18.5 to 22.0	long	30	46	23	5	56	12	5,5	31	7	0,02	0,005	3	10,5	29,5	35	30°
from 22.5 to 26.0	short	35	52	-	6	25	12	5,5	-	7	0,04	0,008	3	10,5	32,5	37	30°
from 22.5 to 26.0	medium	35	52	27	6	45	12	5,5	20	7	0,04	0,008	3	10,5	32,5	37	30°
from 22.5 to 26.0	long	35	52	27	6	56	12	5,5	31	7	0,04	0,008	3	10,5	32,5	37	30°
from 26.5 to 30.0	short	42	59	-	6	30	12	5,5	-	7	0,04	0,008	3	10,5	36	41	30°
from 26.5 to 30.0	medium	42	59	31	6	56	12	5,5	26	7	0,04	0,008	3	10,5	36	41	30°
from 26.5 to 30.0	long	42	59	31	6	67	12	5,5	37	7	0,04	0,008	3	10,5	36	41	30°

01000 02000 03000 04000 05000 06000 07000 08000 09000 10000 12000