

## Item description/product images



## Description

**Material:**

Steel 1.0036

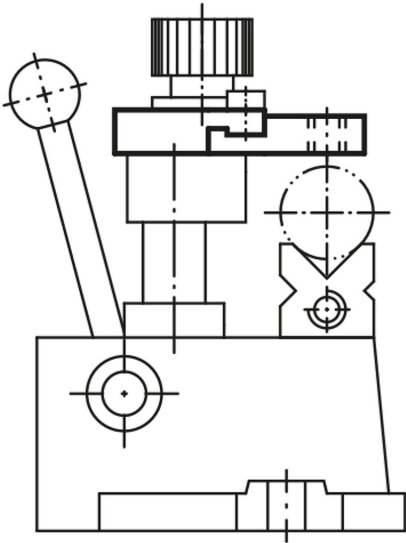
**Version:**

Bright.

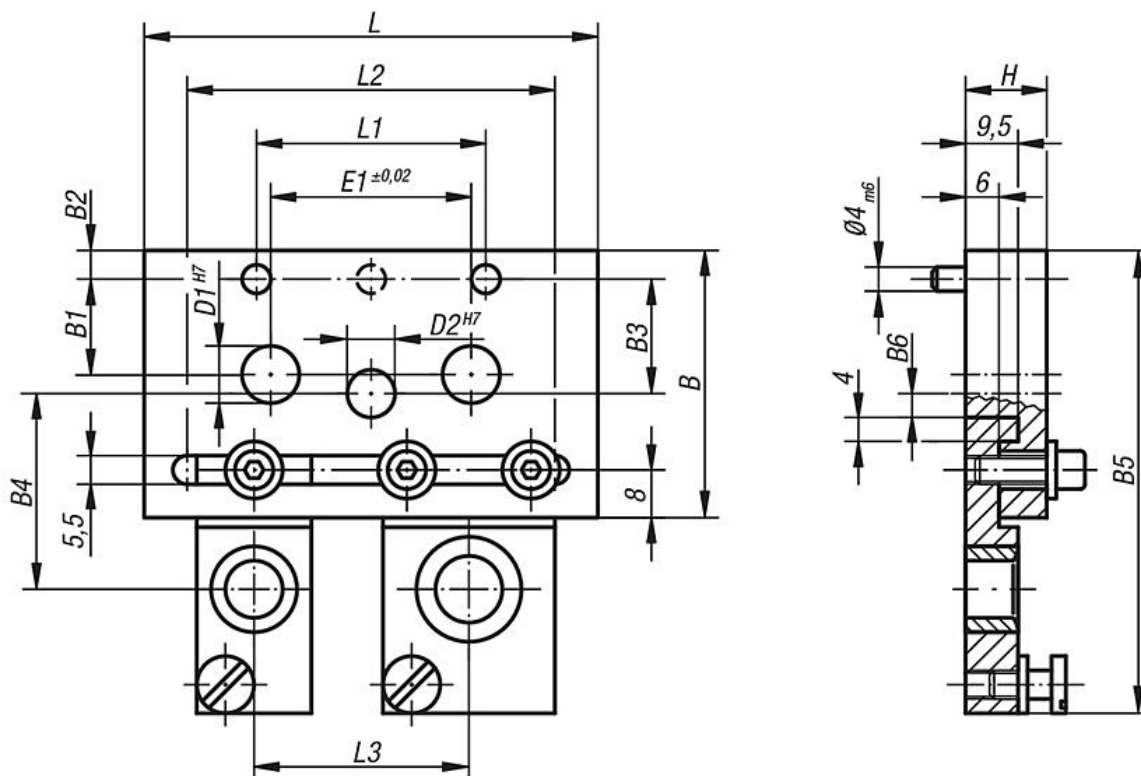
**Note:**

The drill bush holders suitable for the drill bush holder plates must also be ordered.

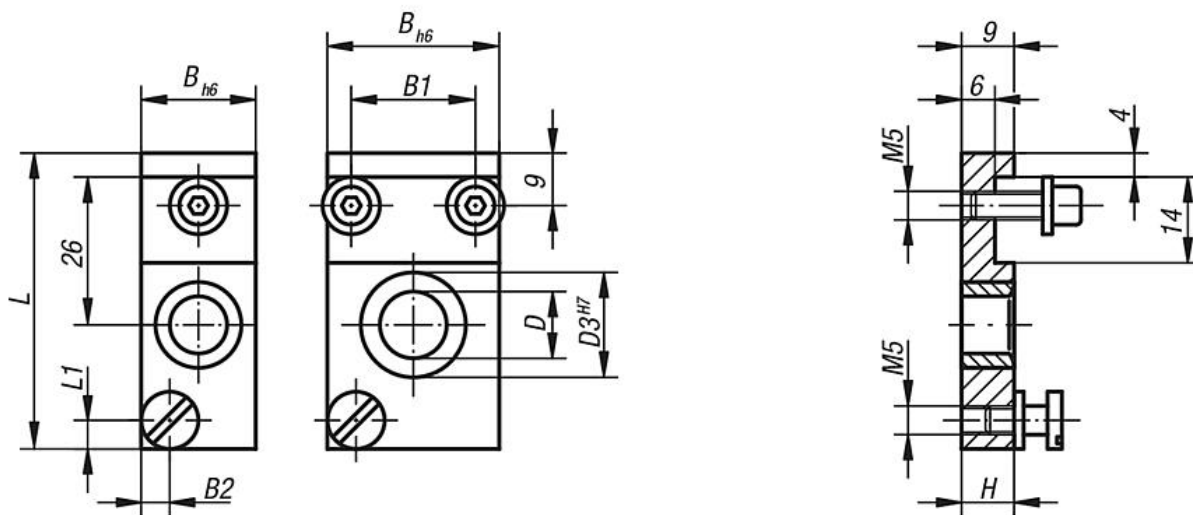
\* Basic bush for push-in drill bushes.



Drill bush holder plate



Drill bush holder



smallest hole spacing  $L3 = \frac{\text{"B" of 1st drill bush holder} + \text{"B" of 2nd drill bush holder}}{2}$

2

## Overview of items

Order No.	Item	Suitable for cylinder jig size	D1	D2	E1	L	L1	L2	B	B1	B2	B3	B4	B5 with bush holder size 1 and 2	B5 with bush holder size 3 to 8	B6	H
08650-00	Drill bush holder plate	0	-	9	-	80	40	65	47	-	5	20	35	66	82	5	14
08650-02	Drill bush holder plate	2	16	16	50	120	80	100	68	30	4	30	47	87	103	17	19

Order No.	Item	Size	D applicable drill bush	D applicable bush from	D applicable for bush to	D3	L	L1	B	B1	B2	H
08650-10	Drill bush holder	1	-	0,4	3,3	3	36	-	8	-	-	10
08650-12	Drill bush holder	2	-	3,4	6	4	36	-	12	-	-	10
08650-13	Drill bush holder	3	-	6,1	10	4	52	-	20	-	-	10
08650-14	Drill bush holder	4	-	10,1	15	4	52	-	30	20	-	10
08650-15	Drill bush holder	5	8*	-	-	-	52	5	20	-	5	10
08650-16	Drill bush holder	6	10*	-	-	-	52	5	20	-	5	12
08650-17	Drill bush holder	7	12*	-	-	-	52	5	30	20	5	12
08650-18	Drill bush holder	8	15*	-	-	-	52	5	30	20	5	12