

Extension columns

short



Material:

Hardened steel 1.7139

Version:

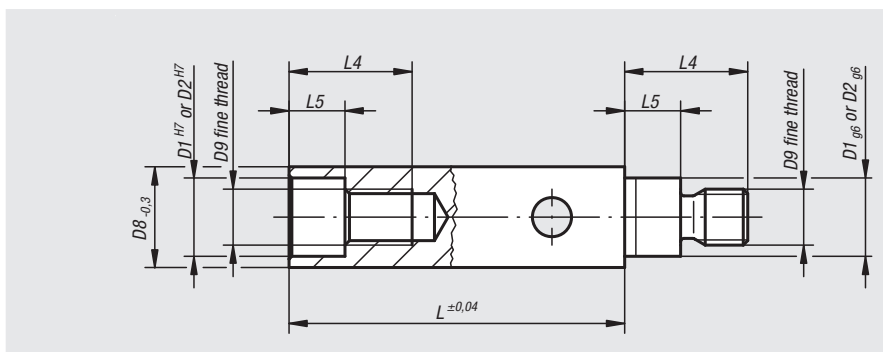
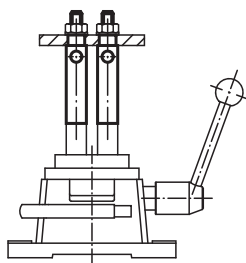
Hardened, black oxidised.

Sample order:

nIm 08600-01 (in pairs)

Note:

Supplied in pairs.



Order No.	Suitable for jig size	D1	D2	D8	D9	L	L4	L5
08600-01	1	14	14	22	M10x1	60	22	10
08600-02	2 + 2S	16	16	25	M14x1,5	60	28	12
08600-03	3 + 3S + 4	20	18	30	M14x1,5	60	32	14,5
08600-05	5	24	22	40	M20x1,5	60	43	18
08600-06	6	26	24	40	M20x1,5	70	46	22

Extension columns

long



Material:

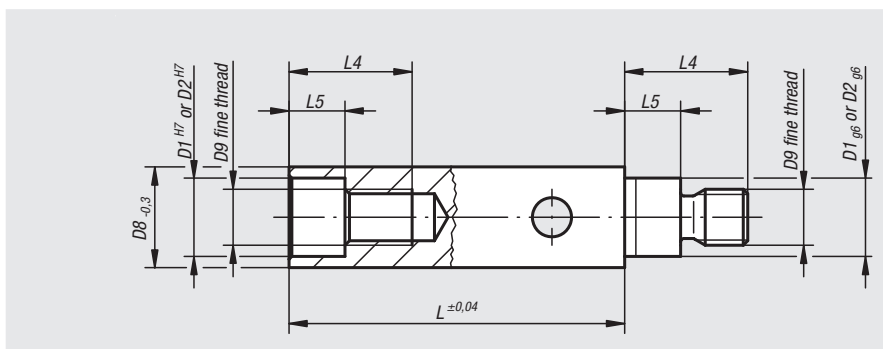
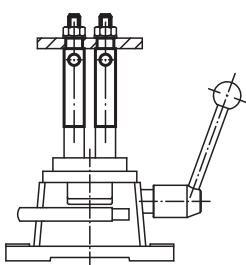
Hardened steel 1.7139

Version:

Hardened, black oxidised.

Sample order:

nIm 08610-03 (in pairs)



Order No.	Suitable for jig size	D1	D2	D8	D9	L	L4	L5
08610-02	2 + 2S	16	16	25	M14x1,5	120	28	12
08610-03	3 + 3S + 4	20	18	30	M14x1,5	120	32	14,5
08610-05	5	24	22	40	M20x1,5	120	43	18
08610-06	6	26	24	40	M20x1,5	120	46	22