

Drilling plates

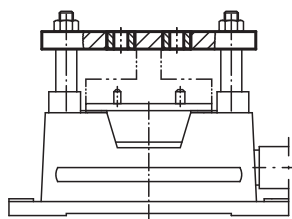
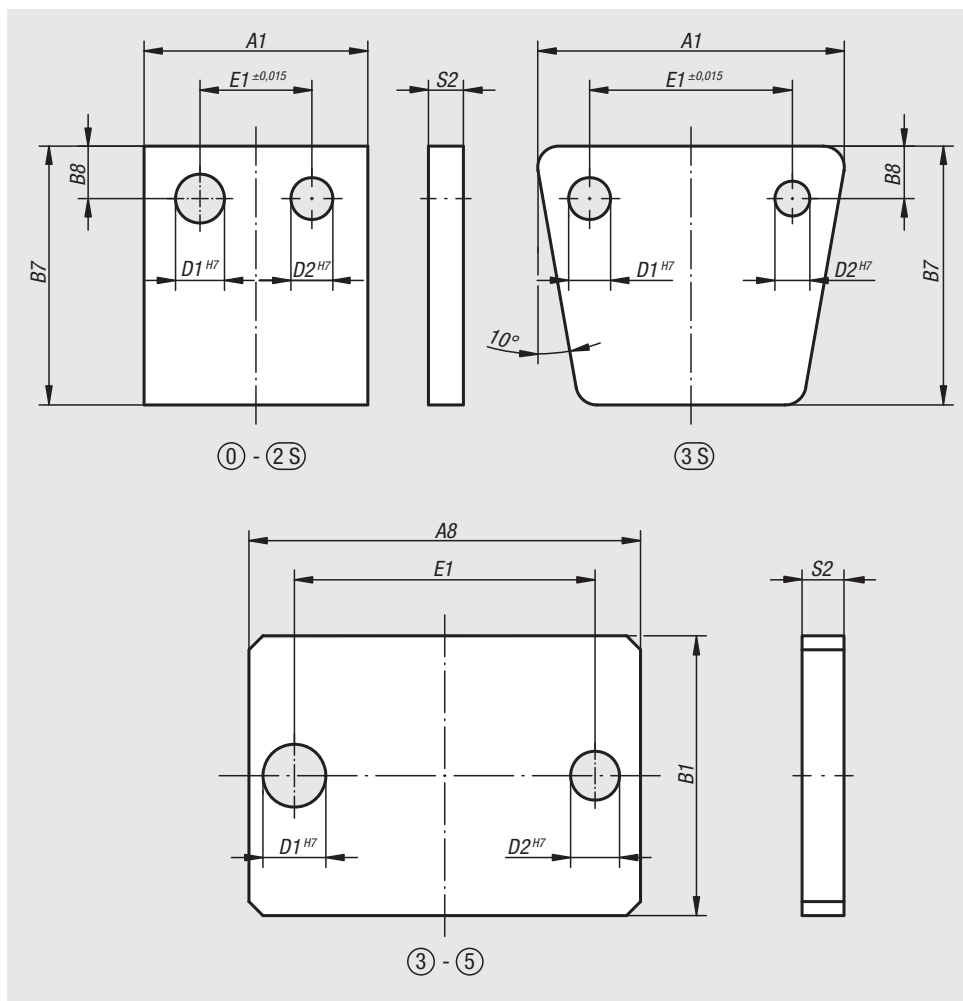
DIN 6348 enhanced



Material:
Steel.

Version:
Black oxidised.
08570-13 bright.

Sample order:
nlm 08570-03



Order No.	Size	Suitable for jig size	Jig dimensions	A1	B7	B8	E1	D1	D2	S2
08570-00	0 - 3S	0	60 x 32	50	56	9	24	10	9	8
08570-01	0 - 3S	1	80 x 50	80	80	14	28	14	14	12
08570-02	0 - 3S	2 2S	100 x 60 100 x 60 x 115	100	96	16	50	16	16	14
08570-13	0 - 3S	3S	125 x 100	168	130	17	132	20	18	15

Order No.	Size	Suitable for jig size	Jig dimensions	A8	B1	E1	D1	D2	S2
08570-03	3 - 5	3	100 x 125	170	125	132 ±0,015	20	18	16
08570-04	3 - 5	4	200 x 160	275	160	236 ±0,015	20	18	16
08570-05	3 - 5	5	300 x 190	380	190	335 ±0,015	24	22	20