

Latch



Material:

Body 1.0036, snapper 1.0503

Version:

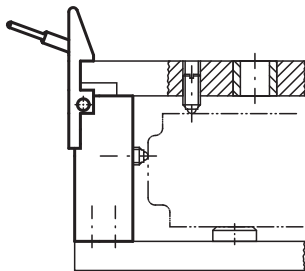
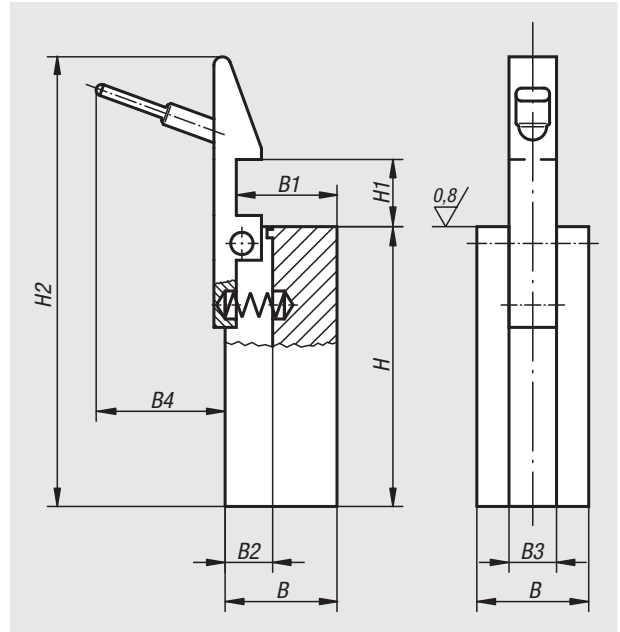
Body phosphated, snapper black oxidised.

Sample order:

nln 08150-01

Note:

Missing dimensions for snapper see 07560.



Order No.	B	B1	B2	B3	B4	H	H1	H2
08150-01	20	18	9	8,5	23	50	12	77
08150-02	30	28	11	10,5	24	63	16	99
08150-03	40	36	14	14,5	24	100	25	145

01000
02000
03000
04000
05000
06000
07000
08000
09000
10000
12000