

Shaft collars

with thread



Material:

Steel 1.0718.

Stainless steel 1.4305.

Version:

Steel black oxidised.

Screw 12.9 steel.

Stainless steel bright.

Screw A2-70 stainless steel.

Sample order:

nIm 07814-0601

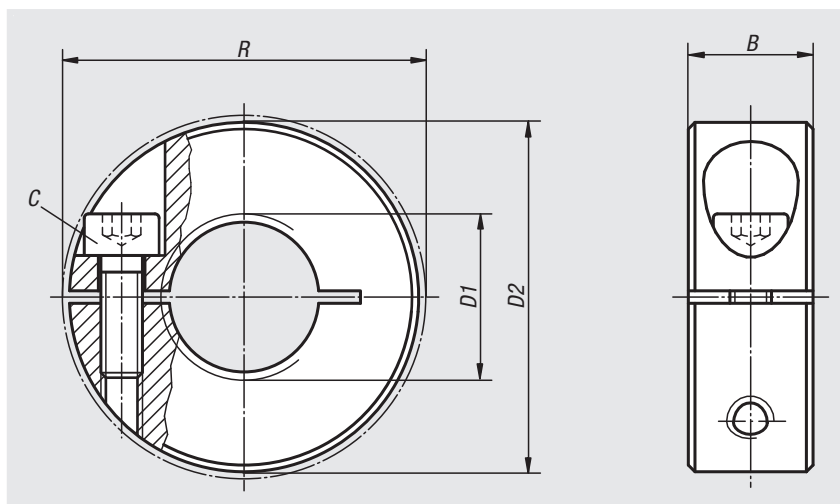
Note:

Shaft collars with thread surround the shaft with an equal distribution of clamping forces.

The shaft collars can be used on threaded rods or shafts with a thread tolerance of 6g.

Temperature range:

-40 °C to +175 °C.



Order No. steel	Order No. stainless steel	B	C	D1	D2	R
07814-0401	07814-0402	9	M3x8	M4	16	20,7
07814-0501	07814-0502	9	M3x8	M5	16	20,7
07814-0601	07814-0602	9	M3x8	M6	16	20,7
07814-0801	07814-0802	9	M3x8	M8	18	22,4
07814-1001	07814-1002	9	M3x10	M10	24	26
07814-1201	07814-1202	11	M4x12	M12	28	31,8
07814-1601	07814-1602	13	M5x16	M16	34	39,4
07814-2001	07814-2002	15	M6x18	M20	40	46,4