

Shaft collars two-piece

wide



Material:

Steel 1.0718.

Stainless steel 1.4305.

Version:

Steel black oxidised.

Screw 12.9 steel.

Stainless steel bright.

Screw A2-70 stainless steel.

Sample order:

nIm 07813-00801

Note:

One-piece shaft collars surround the shaft with a uniformly distributed clamping force. This leads to a dimensionally precise fit and very high retaining forces without damaging the shaft.

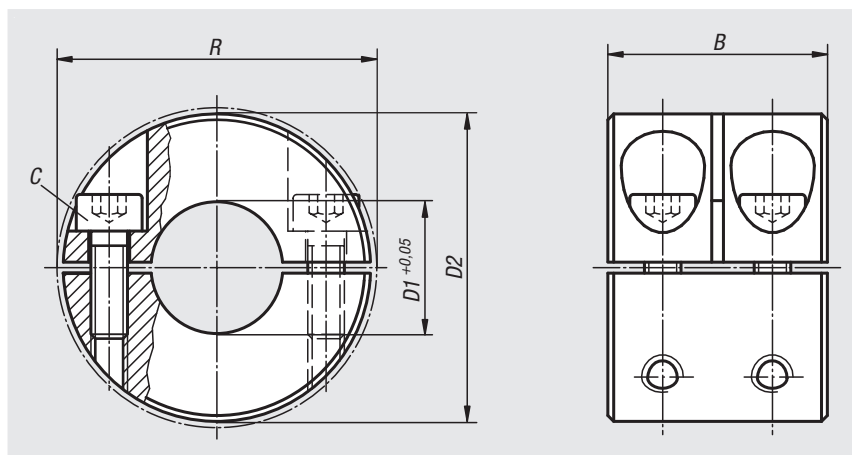
The shaft tolerance should lie within h11.

Temperature range:

-40 °C to +175 °C.

On request:

Other dimensions.



Order No. steel	Order No. stainless steel	B	C (DIN 912)	D1	D2	R
07813-00801	07813-00802	20	M3x8	8	18	22,4
07813-01001	07813-01002	20	M3x10	10	24	26
07813-01201	07813-01202	24	M4x12	12	28	31,8
07813-01601	07813-01602	29	M5x16	16	34	39,4
07813-02001	07813-02002	33	M6x18	20	40	46,4
07813-02501	07813-02502	33	M6x18	25	45	50,8
07813-03001	07813-03002	33	M6x18	30	54	58,6
07813-04001	07813-04002	33	M6x18	40	60	65
07813-05001	07813-05002	41	M8x25	50	78	87