

## Shaft collars two-piece



### Material:

Steel 1.0718  
Stainless steel 1.4305.  
Aluminium.

### Version:

Steel black oxidised, screw steel 12.9.  
Stainless steel bright, screw stainless steel A2-70.  
Aluminium bright, screw stainless steel A2-70.

### Sample order:

nIm 07812-01001

### Note:

Two-piece shaft collars surround the shaft with a uniformly distributed clamping force. This leads to a dimensionally precise fit and very high retaining forces without damaging the shaft.

The shaft tolerance should lie within h11.

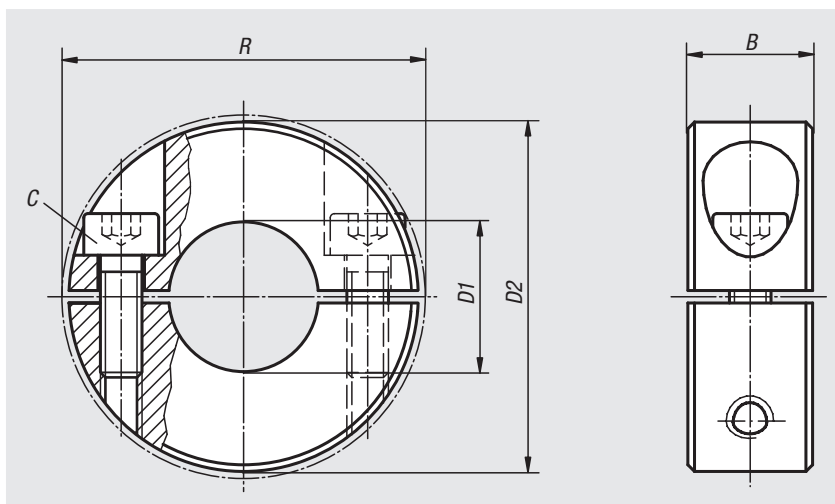
Two-piece shaft collars can be quickly and easily mounted or removed without dismantling other components.

### Temperature range:

-40 °C to +175 °C.

### On request:

Other dimensions.



Order No. steel	Order No. stainless steel	Order No. aluminium	B	C (DIN 912)	D1	D2	R
07812-00401	07812-00402	07812-00403	9	M3x8	4	16	20,7
07812-00501	07812-00502	07812-00503	9	M3x8	5	16	20,7
07812-00601	07812-00602	07812-00603	9	M3x8	6	16	20,7
07812-00801	07812-00802	07812-00803	9	M3x8	8	18	22,4
07812-01001	07812-01002	07812-01003	9	M3x10	10	24	26
07812-01201	07812-01202	07812-01203	11	M4x12	12	28	31,8
07812-01501	07812-01502	07812-01503	13	M5x16	15	34	39,4
07812-01601	07812-01602	07812-01603	13	M5x16	16	34	39,4
07812-01801	07812-01802	07812-01803	13	M5x16	18	36	41,1
07812-02001	07812-02002	07812-02003	15	M6x18	20	40	46,4
07812-02201	07812-02202	07812-02203	15	M6x18	22	42	48,1
07812-02501	07812-02502	07812-02503	15	M6x18	25	45	50,8
07812-02801	07812-02802	07812-02803	15	M6x18	28	48	53,7
07812-03001	07812-03002	07812-03003	15	M6x18	30	54	58,6
07812-04001	07812-04002	07812-04003	15	M6x18	40	60	65
07812-05001	07812-05002	07812-05003	19	M8x25	50	78	87