

Shaft collars one-piece

wide



Material:

Steel 1.0718.

Stainless steel 1.4305.

Version:

Steel black oxidised.

Screw 12.9 steel.

Stainless steel bright.

Screw A2-70 stainless steel.

Sample order:

nIm 07811-01201

Note:

One-piece shaft collars surround the shaft with a uniformly distributed clamping force. This leads to a dimensionally precise fit and very high retaining forces without damaging the shaft.

The shaft tolerance should lie within h11.

Form A: Standard shaft collar.

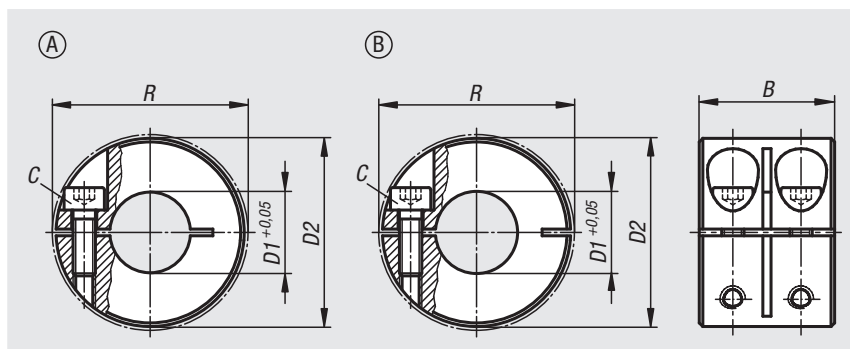
Form B: Shaft collar with a ca. 15% higher clamping force than the standard version by the same tightening torque on the locking screw. The bore remains cylindrical which means that the shaft is precisely enclosed. Less imbalance.

Temperature range:

-40 °C to +175 °C.

On request:

Other dimensions.



Order No. steel	Order No. stainless steel	Form	B	C (DIN 912)	D1	D2	R
07811-00801	07811-00802	A	20	M3x8	8	18	22,4
07811-01001	07811-01002	A	20	M3x10	10	24	26
07811-01201	07811-01202	A	24	M4x12	12	28	31,8
07811-01601	07811-01602	A	29	M5x16	16	34	39,4
07811-02001	07811-02002	A	33	M6x18	20	40	46,4
07811-02501	07811-02502	A	33	M6x18	25	45	50,8
07811-03001	07811-03002	A	33	M6x18	30	54	58,6
07811-04001	07811-04002	A	33	M6x18	40	60	65
07811-05001	07811-05002	A	41	M8x25	50	78	87
07811-100801	07811-100802	B	20	M3x8	8	18	22,4
07811-101001	07811-101002	B	20	M3x10	10	24	26
07811-101201	07811-101202	B	24	M4x12	12	28	31,8
07811-101601	07811-101602	B	29	M5x16	16	34	39,4
07811-102001	07811-102002	B	33	M6x18	20	40	46,4
07811-102501	07811-102502	B	33	M6x18	25	45	50,8
07811-103001	07811-103002	B	33	M6x18	30	54	58,6
07811-104001	07811-104002	B	33	M6x18	40	60	65
07811-105001	07811-105002	B	41	M8x25	50	78	87