

Shaft collars one-piece



Material:

Steel 1.0718
Stainless steel 1.4305.
Aluminium.

Version:

Steel black oxidised, screw steel 12.9.
Stainless steel bright, screw stainless steel A2-70.
Aluminium bright, screw stainless steel A2-70.

Sample order:

nIm 07810-01001

Note:

One-piece shaft collars surround the shaft with a uniformly distributed clamping force. This leads to a dimensionally precise fit and very high retaining forces without damaging the shaft.

The shaft tolerance should lie within h11.

Form A: Standard shaft collar.

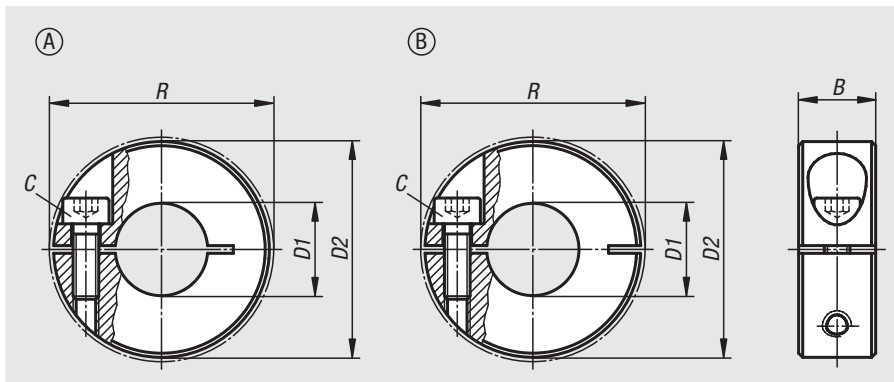
Form B: Shaft collar with a ca. 15% higher clamping force than the standard version by the same tightening torque on the locking screw. The bore remains cylindrical which means that the shaft is precisely enclosed. Less imbalance.

Temperature range:

-40 °C to +175 °C.

On request:

Other dimensions.



| Order No. steel | Order No. stainless steel | Order No. aluminium | Form | B | C (DIN 912) | D1 | D2 | R |
|--------------------|------------------------------|------------------------|------|----|----------------|----|----|------|
| 07810-00401 | 07810-00402 | 07810-00403 | A | 9 | M3x8 | 4 | 16 | 20,7 |
| 07810-00501 | 07810-00502 | 07810-00503 | A | 9 | M3x8 | 5 | 16 | 20,7 |
| 07810-00601 | 07810-00602 | 07810-00603 | A | 9 | M3x8 | 6 | 16 | 20,7 |
| 07810-00801 | 07810-00802 | 07810-00803 | A | 9 | M3x8 | 8 | 18 | 22,4 |
| 07810-01001 | 07810-01002 | 07810-01003 | A | 9 | M3x10 | 10 | 24 | 26 |
| 07810-01201 | 07810-01202 | 07810-01203 | A | 11 | M4x12 | 12 | 28 | 31,8 |
| 07810-01501 | 07810-01502 | 07810-01503 | A | 13 | M5x16 | 15 | 34 | 39,4 |
| 07810-01601 | 07810-01602 | 07810-01603 | A | 13 | M5x16 | 16 | 34 | 39,4 |
| 07810-01801 | 07810-01802 | 07810-01803 | A | 13 | M5x16 | 18 | 36 | 41,1 |
| 07810-02001 | 07810-02002 | 07810-02003 | A | 15 | M6x18 | 20 | 40 | 46,4 |
| 07810-02201 | 07810-02202 | 07810-02203 | A | 15 | M6x18 | 22 | 42 | 48,1 |
| 07810-02501 | 07810-02502 | 07810-02503 | A | 15 | M6x18 | 25 | 45 | 50,8 |
| 07810-02801 | 07810-02802 | 07810-02803 | A | 15 | M6x18 | 28 | 48 | 53,7 |
| 07810-03001 | 07810-03002 | 07810-03003 | A | 15 | M6x18 | 30 | 54 | 58,6 |
| 07810-04001 | 07810-04002 | 07810-04003 | A | 15 | M6x18 | 40 | 60 | 65 |
| 07810-05001 | 07810-05002 | 07810-05003 | A | 19 | M8x25 | 50 | 78 | 87 |
| 07810-100401 | 07810-100402 | 07810-100403 | B | 9 | M3x8 | 4 | 16 | 20,7 |
| 07810-100501 | 07810-100502 | 07810-100503 | B | 9 | M3x8 | 5 | 16 | 20,7 |
| 07810-100601 | 07810-100602 | 07810-100603 | B | 9 | M3x8 | 6 | 16 | 20,7 |
| 07810-100801 | 07810-100802 | 07810-100803 | B | 9 | M3x8 | 8 | 18 | 22,4 |
| 07810-101001 | 07810-101002 | 07810-101003 | B | 9 | M3x10 | 10 | 24 | 26 |
| 07810-101201 | 07810-101202 | 07810-101203 | B | 11 | M4x12 | 12 | 28 | 31,8 |
| 07810-101501 | 07810-101502 | 07810-101503 | B | 13 | M5x16 | 15 | 34 | 39,4 |
| 07810-101601 | 07810-101602 | 07810-101603 | B | 13 | M5x16 | 16 | 34 | 39,4 |
| 07810-101801 | 07810-101802 | 07810-101803 | B | 13 | M5x16 | 18 | 36 | 41,1 |
| 07810-102001 | 07810-102002 | 07810-102003 | B | 15 | M6x18 | 20 | 40 | 46,4 |
| 07810-102201 | 07810-102202 | 07810-102203 | B | 15 | M6x18 | 22 | 42 | 48,1 |
| 07810-102501 | 07810-102502 | 07810-102503 | B | 15 | M6x18 | 25 | 45 | 50,8 |
| 07810-102801 | 07810-102802 | 07810-102803 | B | 15 | M6x18 | 28 | 48 | 53,7 |
| 07810-103001 | 07810-103002 | 07810-103003 | B | 15 | M6x18 | 30 | 54 | 58,6 |
| 07810-104001 | 07810-104002 | 07810-104003 | B | 15 | M6x18 | 40 | 60 | 65 |
| 07810-105001 | 07810-105002 | 07810-105003 | B | 19 | M8x25 | 50 | 78 | 87 |

Shaft collars

one-piece, with clamping lever



Material:

Steel 1.0718.
Stainless steel 1.4305.

Version:

Steel black oxidised.
Stainless steel bright.
Insert stainless-steel.

Sample order:

nIm 07810-11001

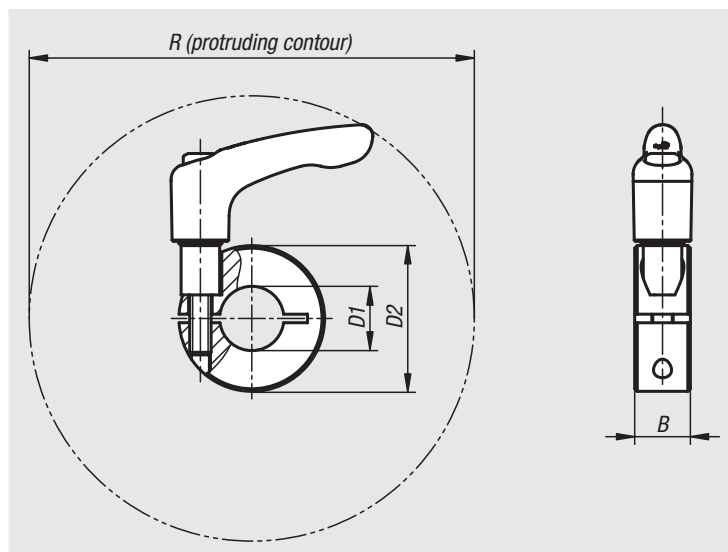
Note:

One-piece shaft collars surround the shaft with an equal distribution of the clamping force. This leads to a very precise fit and high retaining force without damaging the shaft.

The shaft tolerance should lie within h11.

On request:

Other dimensions.



| Order No. steel | Order No. stainless steel | B | D1 | D2 | R |
|--------------------|------------------------------|----|----|----|-------|
| 07810-11001 | 07810-11002 | 9 | 10 | 24 | 44,1 |
| 07810-11201 | 07810-11202 | 11 | 12 | 28 | 90,4 |
| 07810-11501 | 07810-11502 | 13 | 15 | 34 | 105 |
| 07810-11601 | 07810-11602 | 13 | 16 | 34 | 105 |
| 07810-11801 | 07810-11802 | 13 | 18 | 36 | 105,7 |
| 07810-12001 | 07810-12002 | 15 | 20 | 40 | 103,8 |
| 07810-12201 | 07810-12202 | 15 | 22 | 42 | 104,2 |
| 07810-12501 | 07810-12502 | 15 | 25 | 45 | 104,8 |
| 07810-12801 | 07810-12802 | 15 | 28 | 48 | 106,8 |
| 07810-13001 | 07810-13002 | 15 | 30 | 54 | 112,6 |
| 07810-14001 | 07810-14002 | 15 | 40 | 60 | 113,2 |
| 07810-15001 | 07810-15002 | 19 | 50 | 78 | 150,2 |