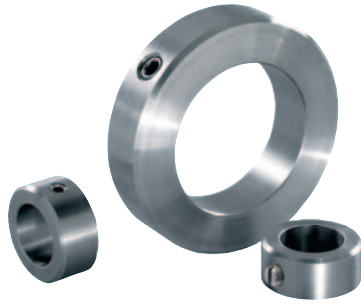


Shaft collars set screw

DIN 705, steel



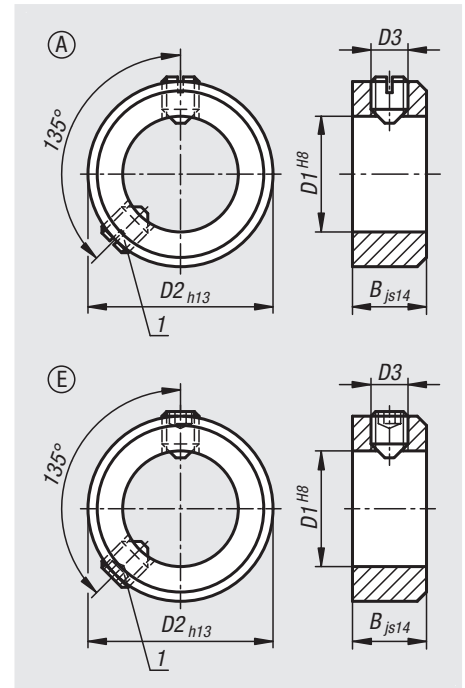
Material:
Steel.

Version:
Bright or electro zinc-plated, trivalent blue passivated.

Sample order:
nlm 07800-100301

Note:
Form A: with grub screw DIN 553 (recess)
Form E: with grub screw DIN 914 (hexagon socket)

Drawing reference:
1) Second grub screw from $D1 \geq 75$



Order No. Form A bright	Order No. Form E bright	Order No. Form E galvanised, blue-passivated	D1	B	D2	D3 grub screw
07800-100301	07800-300301	07800-300303	3	5	7	M2x3
07800-100401	07800-300401	07800-300403	4	5	8	M2,5x3
07800-100501	07800-300501	07800-300503	5	6	10	M3x4
07800-100601	07800-300601	07800-300603	6	8	12	M4x5
07800-100701	07800-300701	07800-300703	7	8	12	M4x5
07800-100801	07800-300801	07800-300803	8	8	16	M4x6
07800-100901	07800-300901	07800-300903	9	10	18	M5x8
07800-101001	07800-301001	07800-301003	10	10	20	M5x8
07800-101101	07800-301101	07800-301103	11	10	20	M5x8
07800-101201	07800-301201	07800-301203	12	12	22	M6x8
07800-101401	07800-301401	07800-301403	14	12	25	M6x8
07800-101501	07800-301501	07800-301503	15	12	25	M6x8
07800-101601	07800-301601	07800-301603	16	12	28	M6x8
07800-101801	07800-301801	07800-301803	18	14	32	M6x8
07800-102001	07800-302001	07800-302003	20	14	32	M6x8

Shaft collars set screw

DIN 705, steel

Order No. Form A bright	Order No. Form E bright	Order No. Form E galvanised, blue-passivated	D1	B	D2	D3 grub screw
07800-102401	07800-302401	07800-302403	24	16	40	M8x12
07800-102501	07800-302501	07800-302503	25	16	40	M8x10
07800-102601	07800-302601	07800-302603	26	16	40	M8x10
07800-102801	07800-302801	07800-302803	28	16	45	M8x12
07800-103001	07800-303001	07800-303003	30	16	45	M8x10
07800-103201	07800-303201	07800-303203	32	16	50	M8x12
07800-103501	07800-303501	07800-303503	35	16	56	M8x12
07800-103601	07800-303601	07800-303603	36	16	56	M8x12
07800-103801	07800-303801	07800-303803	38	16	56	M8x12
07800-104001	07800-304001	07800-304003	40	18	63	M10x16
07800-104201	07800-304201	07800-304203	42	18	63	M10x16
07800-104501	07800-304501	07800-304503	45	18	70	M10x16
07800-104801	07800-304801	07800-304803	48	18	70	M10x16
07800-105001	07800-305001	07800-305003	50	18	80	M10x16
07800-105201	07800-305201	07800-305203	52	18	80	M10x16
07800-105501	07800-305501	07800-305503	55	18	80	M10x16
07800-105601	07800-305601	07800-305603	56	18	80	M10x16
07800-105801	07800-305801	07800-305803	58	20	90	M10x16
07800-106001	07800-306001	07800-306003	60	20	90	M10x16
07800-106301	07800-306301	07800-306303	63	20	90	M10x16
07800-106501	07800-306501	07800-306503	65	20	100	M10x20
07800-106801	07800-306801	07800-306803	68	20	100	M10x20
07800-107001	07800-307001	07800-307003	70	20	100	M10x20
07800-107201	07800-307201	07800-307203	72	20	100	M10x20
07800-107501	07800-307501	07800-307503	75	22	110	M12x20
07800-108001	07800-308001	07800-308003	80	22	110	M12x20
07800-108501	07800-308501	07800-308503	85	22	125	M12x25
07800-109001	07800-309001	07800-309003	90	22	125	M12x20
07800-110001	07800-310001	07800-310003	100	25	140	M12x25

Shaft collars set screw

DIN 705, stainless steel



Material:

Stainless steel 1.4305.

Version:

Bright.

Sample order:

nln 07800-100302

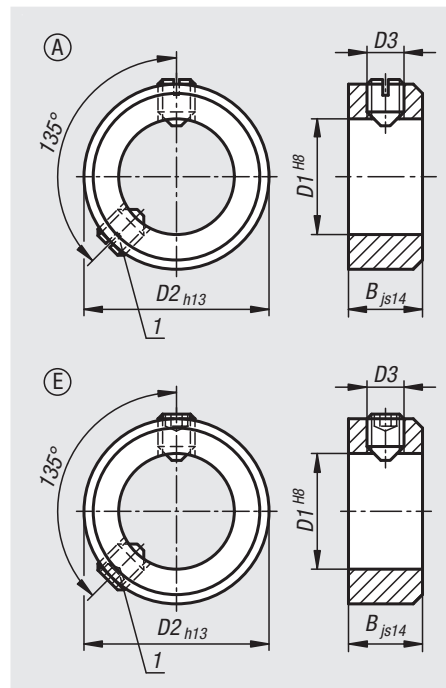
Note:

Form A: with grub screw DIN 553 (recess)

Form E: with grub screw DIN 914 (hexagon socket)

Drawing reference:

1) Second grub screw from $D1 \geq 75$



Order No. Form A	Order No. Form E	D1	B	D2	D3 grub screw
07800-100302	07800-300302	3	5	7	M2x3
07800-100402	07800-300402	4	5	8	M2,5x3
07800-100502	07800-300502	5	6	10	M3x4
07800-100602	07800-300602	6	8	12	M4x5
07800-100702	07800-300702	7	8	12	M4x5
07800-100802	07800-300802	8	8	16	M4x6
07800-100902	07800-300902	9	10	18	M5x8
07800-101002	07800-301002	10	10	20	M5x8
07800-101102	07800-301102	11	10	20	M5x8
07800-101202	07800-301202	12	12	22	M6x8
07800-101402	07800-301402	14	12	25	M6x8
07800-101502	07800-301502	15	12	25	M6x8
07800-101602	07800-301602	16	12	28	M6x8
07800-101802	07800-301802	18	14	32	M6x8
07800-102002	07800-302002	20	14	32	M6x8
07800-102402	07800-302402	24	16	40	M8x12
07800-102502	07800-302502	25	16	40	M8x10
07800-102602	07800-302602	26	16	40	M8x10
07800-102802	07800-302802	28	16	45	M8x12
07800-103002	07800-303002	30	16	45	M8x10
07800-103202	07800-303202	32	16	50	M8x12
07800-103502	07800-303502	35	16	56	M8x12

Order No. Form A	Order No. Form E	D1	B	D2	D3 grub screw
07800-103602	07800-303602	36	16	56	M8x12
07800-103802	07800-303802	38	16	56	M8x12
07800-104002	07800-304002	40	18	63	M10x16
07800-104202	07800-304202	42	18	63	M10x16
07800-104502	07800-304502	45	18	70	M10x16
07800-104802	07800-304802	48	18	70	M10x16
07800-105002	07800-305002	50	18	80	M10x16
07800-105202	07800-305202	52	18	80	M10x16
07800-105502	07800-305502	55	18	80	M10x16
07800-105602	07800-305602	56	18	80	M10x16
07800-105802	07800-305802	58	20	90	M10x16
07800-106002	07800-306002	60	20	90	M10x16
07800-106302	07800-306302	63	20	90	M10x16
07800-106502	07800-306502	65	20	100	M10x20
07800-106802	07800-306802	68	20	100	M10x20
07800-107002	07800-307002	70	20	100	M10x20
07800-107202	07800-307202	72	20	100	M10x20
07800-107502	07800-307502	75	22	110	M12x20
07800-108002	07800-308002	80	22	110	M12x20
07800-108502	07800-308502	85	22	125	M12x25
07800-109002	07800-309002	90	22	125	M12x20
07800-110002	07800-310002	100	25	140	M12x25