

Round sling links

grade 8



Material:

Steel.

Version:

Grade 8.

Plastic-coated, red.

Sample order:

nln 07797-802000

Note:

For joining hoist belts or round slings to chain components such as chain links or suspension rings.

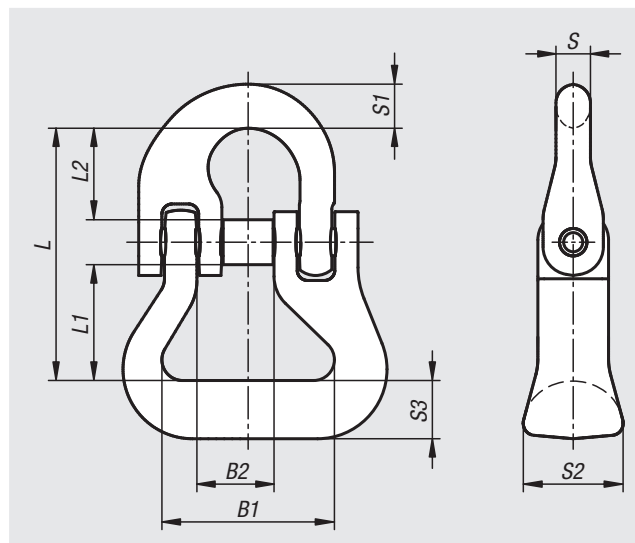
The round sling links correspond to the Machinery Directive and are BG certified (H stamp).

Temperature range:

From -40°C to 200°C = 100% permissible load

Up to 300°C = 90% permissible load

Up to 400°C = 75% permissible load



Order No.	for chain mm	B1	B2	L	L1	L2	S	S1	S2	S3	Permissible load kg
07797-802000	7-8	40	19	58	27	20	9	10	24	14	2000
07797-803150	10	40	25	77	34	30	11	13	30	12	3150
07797-805300	13	55	28	96	44	36	16	16	36	16	5300
07797-808000	16	67	36	115	53	40	21	21	44	24	8000