

Round sling hooks

grade 8



Material:

Steel.

Version:

Grade 8.

Plastic-coated.

Sample order:

nIm 07796-801000

Note:

Round sling hooks for quick suspension of textile lifting equipment such as hoist belts or round slings. The round sling hook is fitted with a robust, forged safety latch. All edges are rounded to protect the textile slings.

The colour of the round sling hook corresponds to the colour code assigned to textile lifting equipment that signifies the permissible loads.

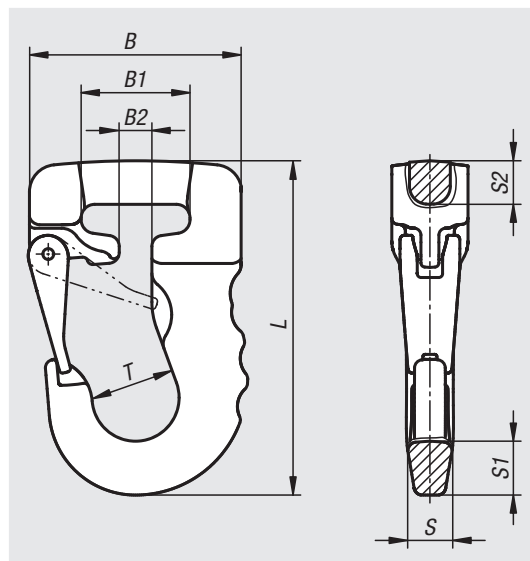
The round sling hooks correspond to the Machinery Directive and are BG certified (H stamp).

Temperature range:

From -40°C to 200°C = 100% permissible load

Up to 300°C = 90% permissible load

Up to 400°C = 75% permissible load



Order No.	Main colour	B	B1	B2	L	S	S1	S2	T	Permissible load kg
07796-801000	violet	78	41	12	123	17	20	16	31	1000
07796-802000	green	91	44	19	148	21	26	17	40	2000
07796-803000	yellow	113	55	21	175	25	32	25	50	3000
07796-804000	grey	133	76	40	223	36	40	36	59,5	4000
07796-805000	red	133	76	40	223	36	40	36	59,5	5000
07796-806000	brown	133	76	40	223	36	40	36	59,5	6000
07796-808000	blue	185	100	50	317	45	63	55	80	8000
07796-810000	orange	185	100	50	317	45	63	55	80	10000