

Connecting links

grade 10



Material:

Steel.

Version:

Grade 10.

Plastic-coated, red.

Sample order:

nIm 07795-1001400

Note:

The connecting links are inserted as a coupling link in a chain sling between suspension link/chain, chain/chain or load hook/chain.

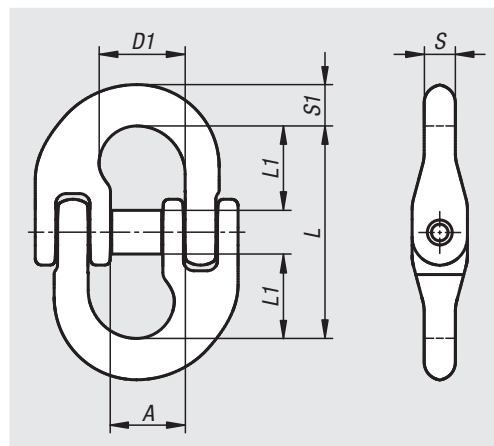
The connecting links correspond to the Machinery Directive and are BG certified (H stamp).

Temperature range:

From -40°C to 200°C = 100% permissible load

Up to 300°C = 90% permissible load

Up to 400°C = 75% permissible load



Order No.	for chain mm	A	D1	L	L1	S	S1	Permissible load kg
07795-1001400	6	14	18	45	18	7,5	8	1400
07795-1001900	7	17,8	20,5	50,5	20	9	10,2	1900
07795-1002500	8	19	23,5	62	25,5	10	11,5	2500
07795-1004000	10	23,8	27,5	72	30	12,6	12,6	4000
07795-1006700	13	28	33,3	87,3	36	16,7	19	6700
07795-1010000	16	34,3	39,5	102	40,5	20,6	20,6	10000