

Swivel hooks

grade 10



Material:
Steel.

Version:
Grade 10.
Plastic-coated, red.

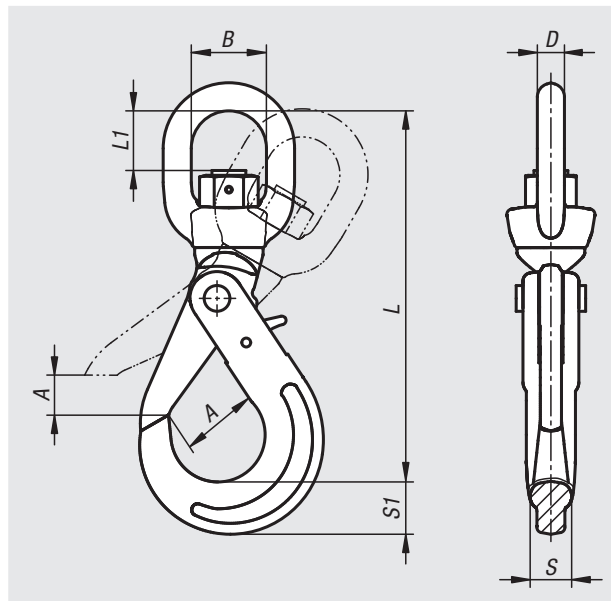
Sample order:
nlm 07794-11001400

Note:
Fitted with smooth-running plain bearings. Not suitable for swivelling while under load.

When lifting the load, the safety latch closes automatically and is securely locked by a locking mechanism at the rear of the hook. To open the latch, the locking mechanism must be unlocked manually.

The swivel hooks correspond to the Machinery Directive and are BG certified (H stamp).

Temperature range:
From -40°C to 200°C = 100% permissible load
Up to 300°C = 90% permissible load
Up to 400°C = 75% permissible load



Order No.	for chain mm	A	B	D	L	L1	S	S1	Permissible load kg
07794-11001400	6	28	36	13	158	27	16	21	1400
07794-11002500	7-8	34	36	13	182	27	20	26	2500
07794-11004000	10	45	42	16	217	35	25	30	4000
07794-11006700	13	54	50	21	271	43	35	40	6700
07794-11010000	16	62	62	24	320	58	38	50	10000