

# Shortening hooks

grade 10



**Material:**  
Steel.

**Version:**  
Grade 10.  
Plastic-coated, red.

**Sample order:**  
nlm 07793-11001400

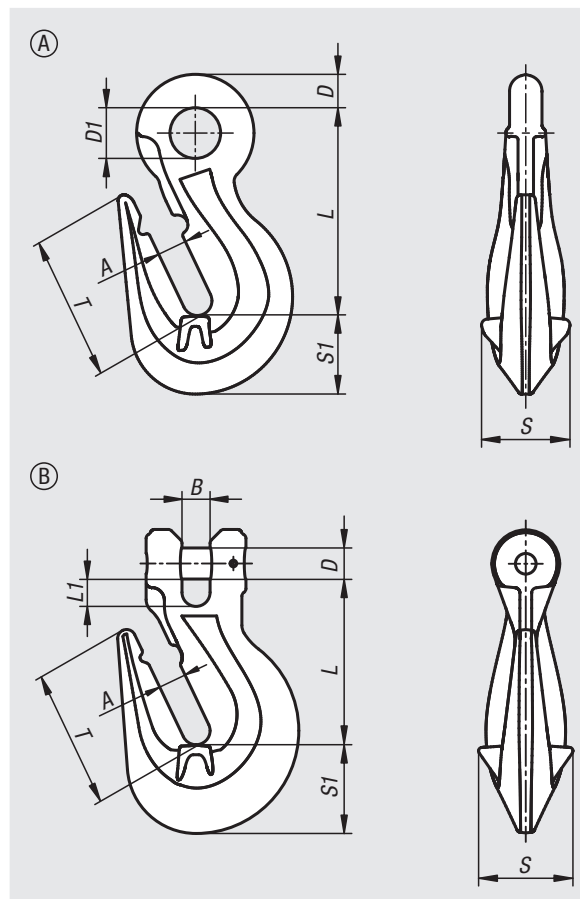
**Note:**  
The shortening hook is for incorporating into single or multiple strand chains and is used to shorten the chain.

Shortening hooks are permissible for lifting, but not for lashing since they do not have a latch to prevent unintentional unhooking.

The shortening hooks correspond to the Machinery Directive and are BG certified (H stamp).

**Temperature range:**  
From -40°C to 200°C = 100% permissible load  
Up to 300°C = 90% permissible load  
Up to 400°C = 75% permissible load

**Drawing reference:**  
Form A: eye hook.  
Form B: clevis hook.



Order No.	Version 1	Form	for chain mm	A	B	D	D1	L	L1	S	S1	T	Permissible load kg
07793-11001400	eye hook	A	6	8	-	8,5	12	51,5	-	22	22	35,5	1400
07793-11002500	eye hook	A	7-8	10	-	11	17	69	-	30	28	47	2500
07793-11004000	eye hook	A	10	13	-	15	22	86,5	-	44	34	55	4000
07793-11006700	eye hook	A	13	17	-	18	26	110,5	-	53	47	81	6700
07793-11010000	eye hook	A	16	19	-	21	32	129	-	64	60	92	10000
07793-21001400	clevis hook	B	6	8	8	7,5	-	51	8,8	22	22	36	1400
07793-21001900	clevis hook	B	7	10	10	9	-	66	11	30	28	47	1900
07793-21002500	clevis hook	B	8	10	10	10	-	65	11	30	28	47	2500
07793-21004000	clevis hook	B	10	13	13	13	-	80	15	44	34	55	4000
07793-21006700	clevis hook	B	13	17	17	16	-	105	18	53	47	81	6700
07793-21010000	clevis hook	B	16	19	19	21	-	112	18	64	60	92	10000