

Self-locking hooks

grade 10



Material:

Steel.

Version:

Grade 10.

Plastic-coated, red.

Sample order:

nIm 07792-11001400

Note:

When lifting the load, the safety latch closes automatically and is securely locked by a locking mechanism at the rear of the hook. To open the latch, the locking mechanism must be unlocked manually.

The hooks correspond to the Machinery Directive and are BG certified (H stamp).

Temperature range:

From -40°C to 200°C = 100% permissible load

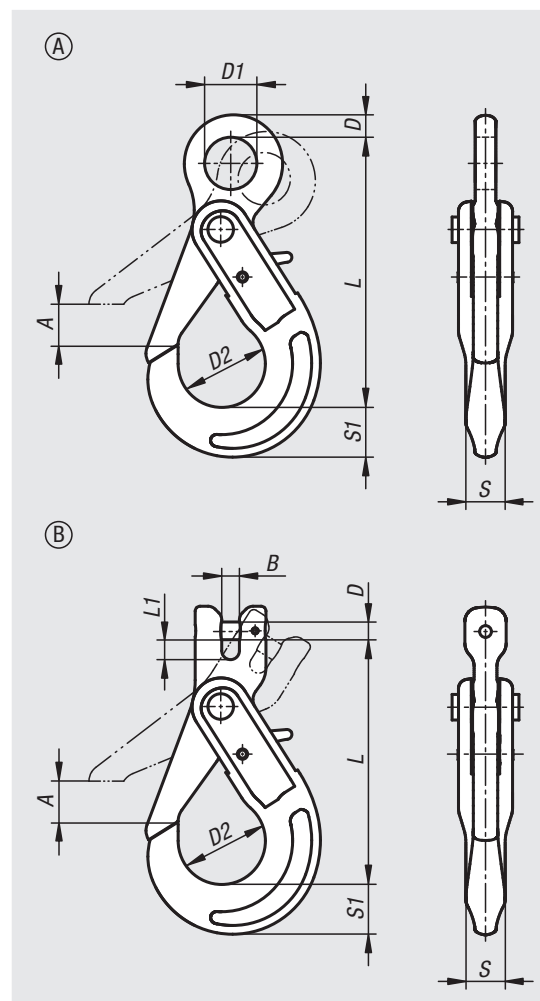
Up to 300°C = 90% permissible load

Up to 400°C = 75% permissible load

Drawing reference:

Form A: eye hook.

Form B: clevis hook.



Order No.	Version 1	Form	for chain mm	A	B	D	D1	D2	L	L1	S	S1	Permissible load kg
07792-11001400	eye hook	A	6	28	-	11	21	35	109	-	16	21	1400
07792-11002500	eye hook	A	7-8	34	-	12	25	43	135	-	20	26	2500
07792-11004000	eye hook	A	10	45	-	16	33	56	168	-	25	30	4000
07792-11006700	eye hook	A	13	51	-	20	40	69	205	-	35	40	6700
07792-11010000	eye hook	A	16	60	-	27	50	80	251	-	36	50	10000
07792-21001400	clevis hook	B	6	28	7	7,5	-	35	94	8	16	21	1400
07792-21001900	clevis hook	B	7	34	9	9	-	43	123	10	20	26	1900
07792-21002500	clevis hook	B	8	34	9	10	-	43	123	10	20	26	2500
07792-21004000	clevis hook	B	10	45	12	13	-	56	143	14	25	30	4000
07792-21006700	clevis hook	B	13	51	15	16	-	69	180	17	35	40	6700
07792-21010000	clevis hook	B	16	60	19	21	-	80	215	19	36	50	10000