

Slip hooks

grade 10



Material:
Steel.

Version:
Grade 10.
Plastic-coated, red.
Latch forged and electro zinc-plated.

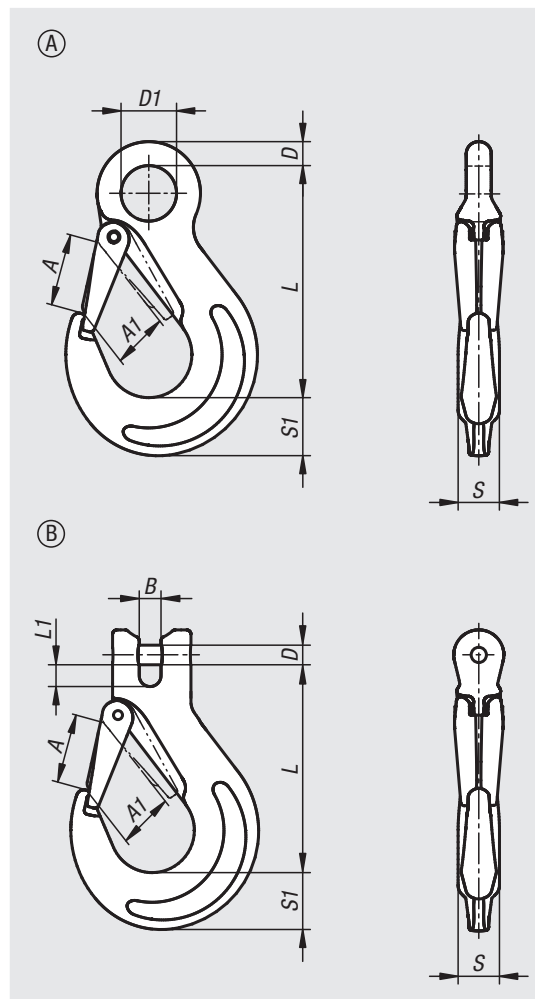
Sample order:
nlm 07791-11001400

Note:
Slip hooks with forged latch.

The hooks correspond to the Machinery Directive and are BG certified (H stamp).

Temperature range:
From -40°C to 200°C = 100% permissible load
Up to 300°C = 90% permissible load
Up to 400°C = 75% permissible load

Drawing reference:
Form A: eye hook.
Form B: clevis hook.



Order No.	Version 1	Form	for chain mm	A	A1	B	D	D1	L	L1	S	S1	Permissible load kg
07791-11001400	eye hook	A	6	26	19	-	10	20,5	85	-	16	20	1400
07791-11002500	eye hook	A	7-8	33	26	-	11	25	105	-	19	29	2500
07791-11004000	eye hook	A	10	40	31	-	16	34	131	-	26	33	4000
07791-11006700	eye hook	A	13	51	40	-	19	43	163	-	33	45	6700
07791-11010000	eye hook	A	16	66	45	-	24,5	50	183	-	40	50	10000
07791-21001400	clevis hook	B	6	26	19	7,2	7,5	-	69	8	15	20	1400
07791-21001900	clevis hook	B	7	34	26	9,5	9	-	95	10	19	28	1900
07791-21002500	clevis hook	B	8	34	26	9,5	10	-	95	10	19	28	2500
07791-21004000	clevis hook	B	10	40	31	12	13	-	110	13,5	25	33	4000
07791-21006700	clevis hook	B	13	51	40	15	16	-	136	17	30	40	6700
07791-21010000	clevis hook	B	16	56	45	18	20	-	155	22	37	48	10000