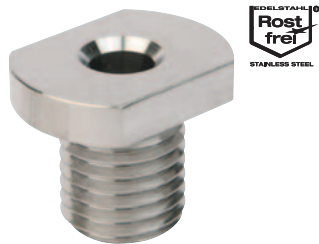


Receiver bush

stainless steel, for lifting pins


Material:

Stainless steel 1.4542.

Version:

Hardened and passivated.

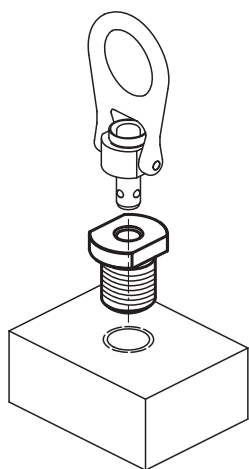
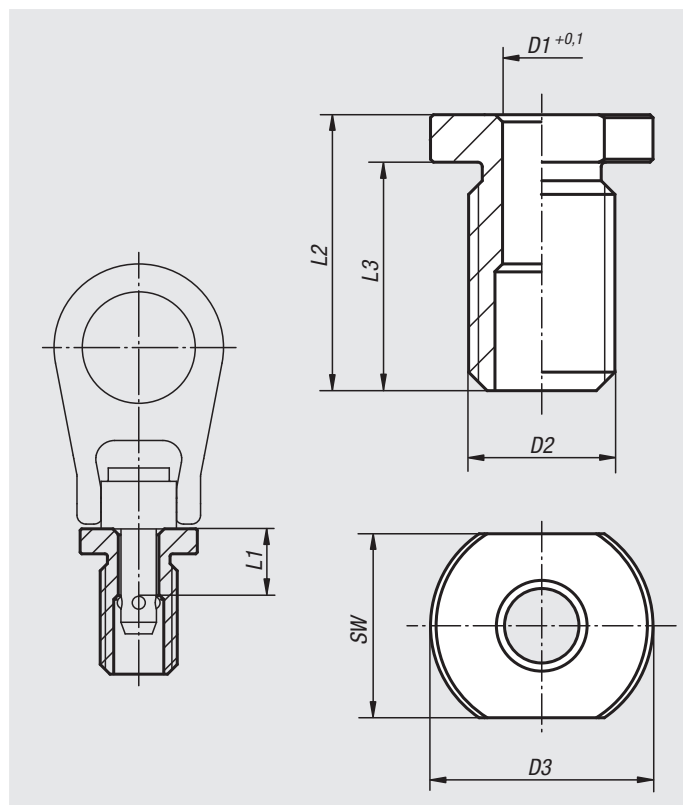
Sample order:

nlm 07784-1015

Note:

The receiver bush is for quick and safe insertion of ball operated lifting pins. They offer an easy and reliable installation in a variety of lifting materials. Also for use with thin walled materials and blind holes.

They are corrosion resistant with low wearing.



| Order No. | D1 | D2 | D3 | L1 | L2 | L3 | SW | Tightening torque Nm | Suitable for |
|------------|----|---------|------|----|----|----|----|----------------------|---------------|
| 07784-1015 | 10 | M20x2,5 | 34,8 | 15 | 29 | 22 | 26 | 36 | 07782-2810X15 |
| 07784-1215 | 12 | M22x2,5 | 34,8 | 15 | 37 | 28 | 30 | 50 | 07782-2812X15 |
| 07784-1615 | 16 | M27x3 | 41,2 | 15 | 41 | 31 | 32 | 69 | 07782-2816X15 |