

Lifting pins

self-locking, stainless steel



Material:

Pin and shackle stainless steel 1.4542.

Push button stainless steel 1.4305.

Ball stainless steel 1.4125.

Spring stainless steel 1.4310.

Version:

Pin and balls hardened and passivated

Sample order:

nIm 07782-2812X15

(include length L1)

Note:

Quick and easy lifting device with swing shackle and safety bar against unintended release. The balls are unlocked by pressing the push button. When the push button is released the balls are securely locked.

Corrosion and weather resistant.

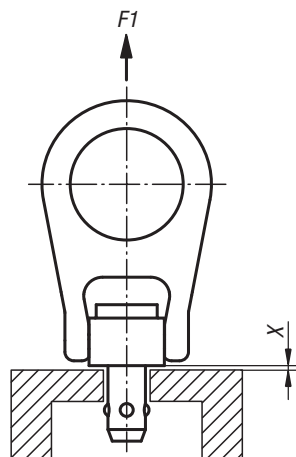
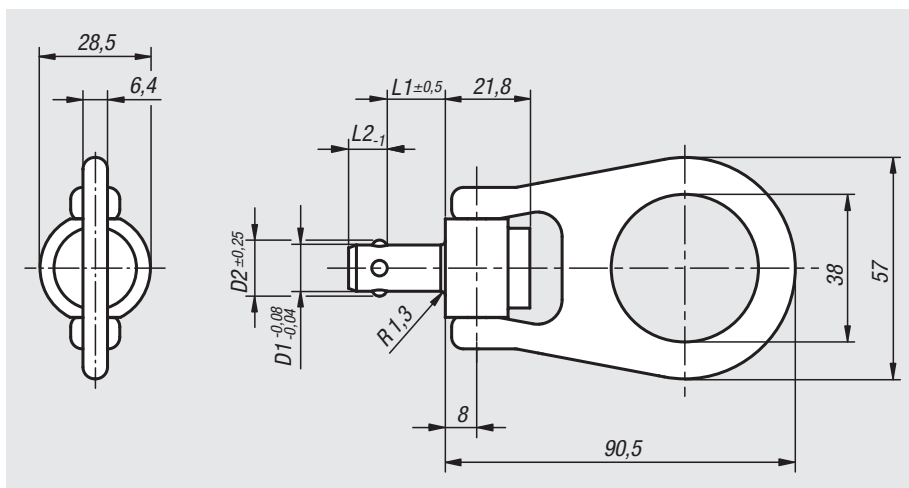
High tensile, hardened pin for extreme loads with the high wear resistance. Temperature range max. 250 °C.

CE certified.

Values X max, and F1 with 5x safety factor.

Accessories:

Receiver bushes 07784.



| Order No. | D1 | D2 | L1 | L2 | X max. | F1 kN | Receiving hole |
|-------------|----|-------|--------------------------|----|--------|-------|----------------|
| 07782-2810X | 10 | 12 | 15/30/35/40/75 | 9 | 1,5 | 4,4 | 10 +0,1 |
| 07782-2812X | 12 | 14,27 | 15/20/25/30/35/40/75/100 | 10 | 1,5 | 5,5 | 12 +0,1 |
| 07782-2816X | 16 | 19 | 15/20/25/30/35/40/75/100 | 14 | 1,5 | 6,2 | 16 +0,1 |