

Receiver bushes

for ball lifting pins, stainless steel


Material:

Stainless steel 1.4542.

Version:

Hardened.

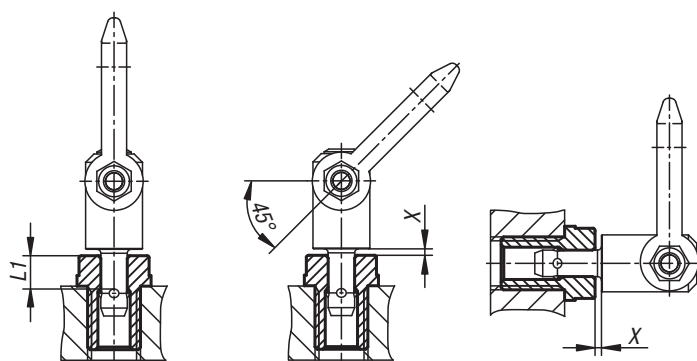
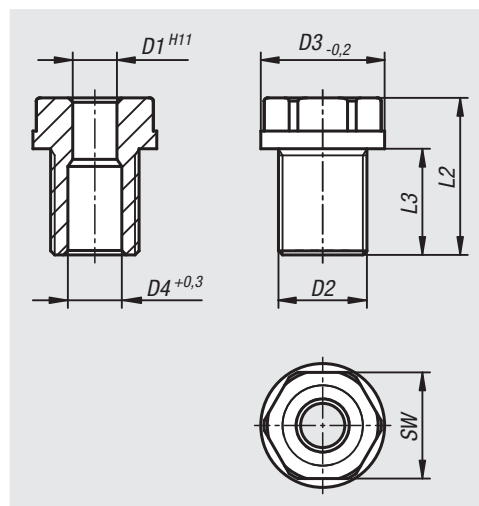
Sample order:

nIm 07781-0810

Note:

The receiver bush is for quick and safe insertion of ball operated lifting pins. They offer an easy and reliable installation in a variety of lifting materials. Also for use with thin walled materials and blind holes.

They are corrosion resistant with low wearing.



Order No.	D1	D2	D3	D4	L1	L2	L3	X	SW	Tightening torque Nm
07781-0810	8	M16x1,5	24	9,8	10	27,5	20	1,5	19	90
07781-0815	8	M16x1,5	24	9,8	15	27,5	20	1,5	19	90
07781-0825	8	M16	24	9,8	25	37,5	25	1,5	19	75
07781-0835	8	M16	24	9,8	35	47,5	35	1,5	19	75
07781-1015	10	M20x1,5	28	12,2	15	35,5	24	1,5	24	145
07781-1025	10	M20x1,5	28	12,2	25	35,5	24	1,5	24	145
07781-1035	10	M20	28	12,2	35	46	29	1,5	24	130
07781-1050	10	M20	28	12,2	50	65	49	1,5	24	130
07781-1215	12	M24x1,5	32	14,7	15	35,5	24	1,5	27	220
07781-1225	12	M24x1,5	32	14,7	25	36,5	24	1,5	27	220
07781-1235	12	M24	32	14,7	35	48,5	36	1,5	27	200
07781-1250	12	M24	32	14,7	50	72,5	60	1,5	27	200
07781-1625	16	M30x2	39	19,2	25	44	29	1,5	30	440
07781-1650	16	M30	39	19,2	50	66	44	1,5	30	400
07781-1675	16	M30	39	19,2	75	96	74	1,5	30	400
07781-2050	20	M36x2	43	26	50	70	55	1,5	36	440
07781-2075	20	M36x2	43	26	75	95	80	1,5	36	440

Locating bushes

for ball lifting pins stainless steel, flat



Material:
Stainless steel 1.4542.

Version:
Hardened.

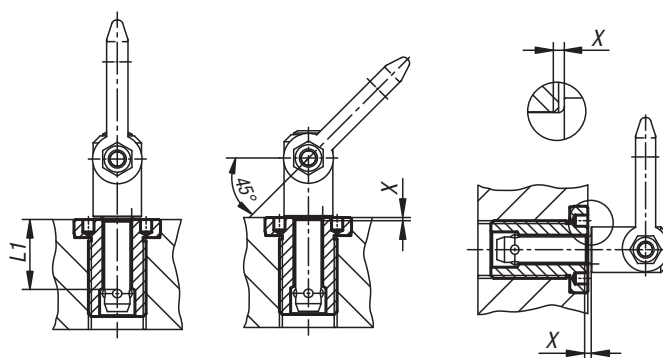
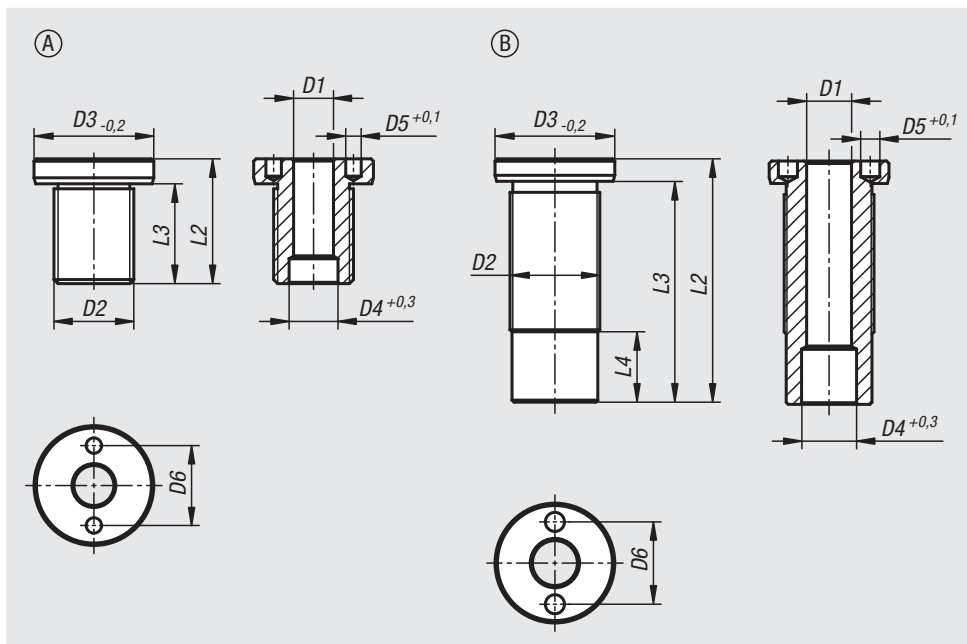
Sample order:
nlm 07781-10810

Note:
The locating bushes offer a safe and quick option for holding the ball lifting pins. They ensure that installation in a range of supporting materials can be carried out easily and reliably. Can also be used with thin-walled parts and blind holes.

This version is suitable for applications which require a flat surface after having been screwed in.

They are corrosion-resistant and do not wear easily.

Accessories:
Adjustable face pin spanner 96651.



Order No.	Form	D1	D2	D3	D4	D5	D6	L1	L2	L3	L4	X	Tightening torque Nm	Order No. assembly key
07781-10810	A	8	M16x1,5	24	9,8	3,1	16	10	25	20	-	1,5	75	96651-08
07781-10815	A	8	M16x1,5	24	9,8	3,1	16	15	25	20	-	1,5	75	96651-08
07781-10825	A	8	M16	24	9,8	3,1	16	25	35	30	-	1,5	75	96651-08
07781-10835	A	8	M16	24	9,8	3,1	16	35	45	40	-	1,5	75	96651-08
07781-11015	A	10	M20x1,5	28	12,2	5,1	20	15	30	24	-	1,5	100	96651-08
07781-11025	A	10	M20x1,5	28	12,2	5,1	20	25	35	29	-	1,5	100	96651-08
07781-11035	A	10	M20	28	12,2	5,1	20	35	45	39	-	1,5	100	96651-08
07781-11050	A	10	M20	28	12,2	5,1	20	50	60	54	-	1,5	100	96651-08
07781-11215	A	12	M24x1,5	32	14,7	5,1	22	15	32	26	-	1,5	150	96651-08
07781-11225	A	12	M24x1,5	32	14,7	5,1	22	25	40	34	-	1,5	150	96651-08
07781-11625	A	16	M30x2	39	19,2	5,1	30	25	45	39	-	1,5	200	96651-16
07781-11235	B	12	M24	32	14,7	5,1	22	35	50	44	3,8	1,5	150	96651-08
07781-11250	B	12	M24	32	14,7	5,1	22	50	65	59	18,8	1,5	150	96651-08
07781-11650	B	16	M30	39	19,2	5,1	30	50	65	59	6	1,5	200	96651-16
07781-11675	B	16	M30	39	19,2	5,1	30	75	90	84	31	1,5	200	96651-16
07781-12050	B	20	M36x2	43	26	5,1	30	50	70	63	3,5	1,5	200	96651-16
07781-12075	B	20	M36x2	43	26	5,1	30	75	95	88	28,5	1,5	200	96651-16

01000
02000
03000
04000
05000
06000
07000
08000
09000
10000
12000