

Hoist rings

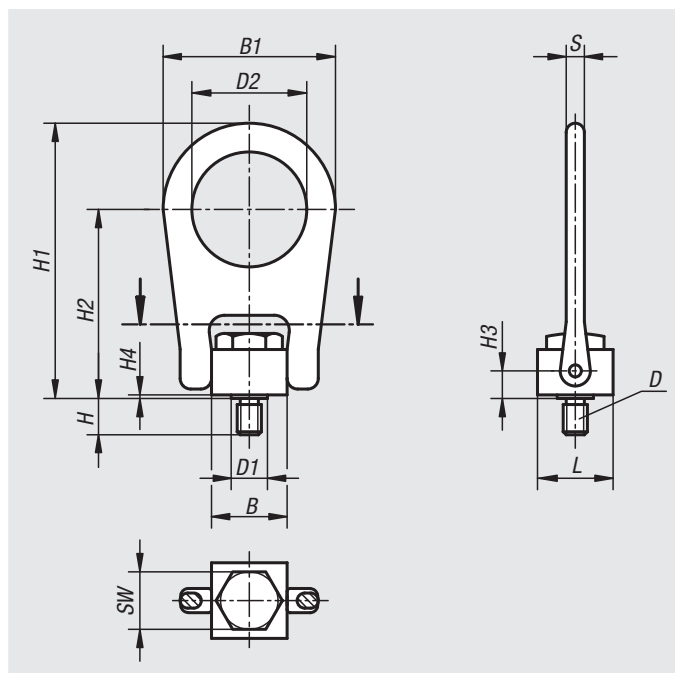


Material:
Carbon steel.

Version:
Black oxidised.

Sample order:
nlm 07774-10

Note:
Every hoist ring undergoes an additional visual inspection after load testing (5x safety factor).
A safety data sheet for installation is included with every hoist ring.
Do not use spacer washers between the bush flange and support surface.
Tighten the screws to the stated torque and check and re-tighten regularly. After installation check if the ring swivels freely in both directions.
Lift with care! Avoid impacts!
In no event must the permissible load stamped on the hoist ring be exceeded.



Order No.	B	B1	D	D1	D2	H	H1	H2	H3	H4	L	S	SW	max. permissible load kg	Tightening torque Nm
07774-08	25,4	57,2	M8	12,7	38,1	12	91,3	62,7	8,7	1,2	25,4	6,3	19	400	10
07774-10	25,4	57,2	M10	12,7	38,1	15	91,3	62,7	8,7	1,2	25,4	6,3	19	450	17
07774-12	50,8	112,7	M12	25,4	76,2	18	161,9	101,6	14,3	1,6	38,1	19	32	1050	37
07774-16	50,8	112,7	M16	25,4	76,2	24	161,9	101,6	14,3	1,6	38,1	19	32	1900	80
07774-20	50,8	112,7	M20	25,4	76,2	30	161,9	101,6	14,3	1,6	38,1	19	32	2150	134