

Swivel bales

with axial ring



Material:
Carbon steel.

Version:
Black oxidised.

Sample order:
nlm 07752-12

Note:
Every swivel bale undergoes an additional visual inspection after load testing (5x safety factor).

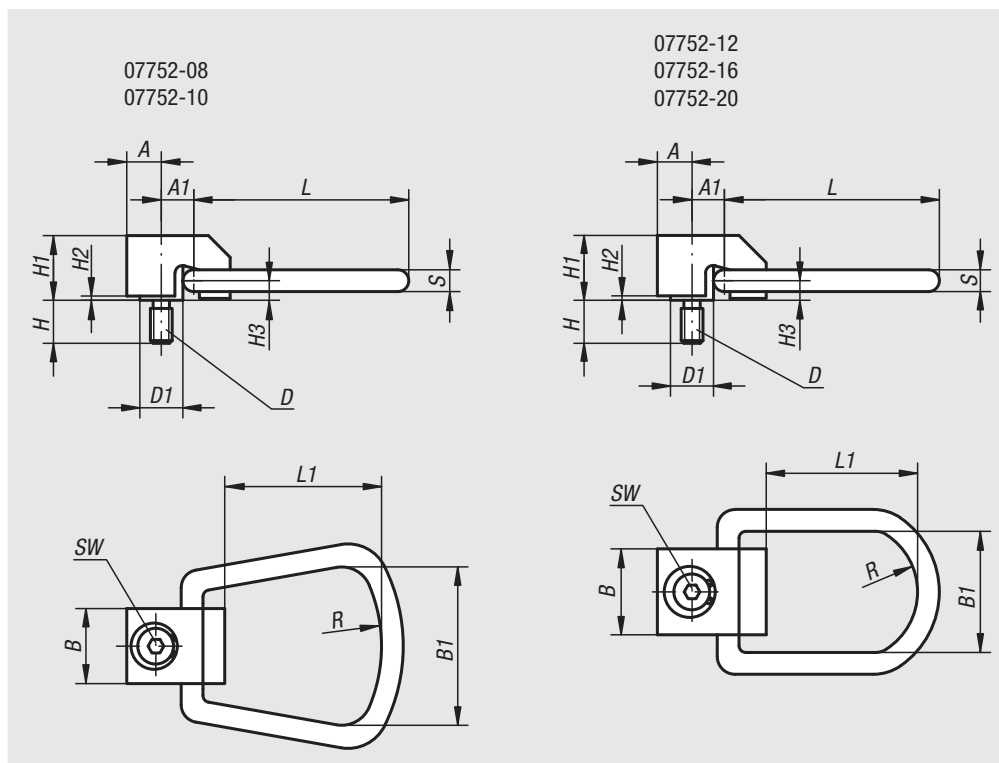
A safety data sheet for installation is included with every swivel bale.

Do not use spacer washers between the bush flange and support beam.

Tighten the screws to the stated torque and check and re-tighten regularly. After installation check if the bale swivels and turns freely in all directions.

Lift with care! Avoid impacts!

In no event must the permissible load stamped on the swivel bale be exceeded.



Order No.	A	A1	B	B1	D	D1	H	H1	H2	H3	L	L1	R	S	SW	Tightening torque Nm	max. permissible load kg
07752-08	12,7	12,7	25,4	44,5	M8	15,8	15,8	23,8	1,6	7,2	75,4	52,4	25,4	7,9	6	4,2	325
07752-10	12,7	12,7	25,4	44,5	M10	15,8	19,8	23,8	1,6	7,2	75,4	52,4	25,4	7,9	6	6	500
07752-12	19,8	23,8	41,3	50,8	M12	25,4	23,8	40,1	2	11,1	120,7	82,6	38,1	12,7	10	20	725
07752-16	19,8	23,8	41,3	50,8	M16	25,4	31,8	40,1	2	11,1	120,7	82,6	38,1	12,7	10	40	1400
07752-20	19,8	23,8	41,3	50,8	M20	25,4	39,7	40,1	2	11,1	120,7	82,6	38,1	12,7	10	70	2290

01000
02000
03000
04000
05000
06000
07000
08000
09000
10000
12000