

Hoist rings with Envirolox® coating



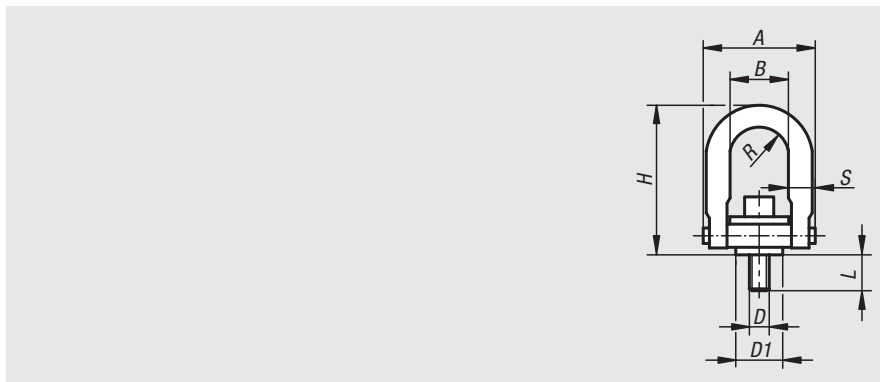
Material:
Carbon steel.

Version:
Hoist ring with Envirolox® protective coating.
Washer chrome plated.

Sample order:
nlm 07735-10

Note:
Every hoist ring undergoes an additional visual inspection after load testing (5x safety factor).
The new Envirolox® protective coating is environmentally friendly and is proven to be effective in extreme conditions. Possible application areas: in corrosive atmospheres such as maritime freight, chemical industry etc.

Safety:
Safety instructions see 07730.



Order No.	A	B	D	D1	H	L	R	S	max. permissible load kg	Tightening torque Nm
07735-08	46,7	22	M8	19	67,8	12,5	10,9	9,7	400	9,81
07735-10	46,7	22	M10	19	67,8	17,5	10,9	9,7	450	16,7
07735-12	89,4	46	M12	38,1	121,4	19	22,4	19	1050	37,3
07735-16	89,4	46	M16	38,1	121,4	29	22,4	19	1900	80,4
07735-20	89,4	46	M20	38,1	121,4	34	22,4	19	2150	133
07735-120	130,6	70	M20	58,7	165,6	32	35,6	25,4	3000	133
07735-24	130,6	70	M24	58,7	165,6	37	35,6	25,4	4200	304
07735-30	165,1	90	M30	81	221,7	46	44,5	31,7	7000	588

Lifting rings



Material:
Carbon steel.

Version:
Black oxidised.

Sample order:
nlm 07750-10

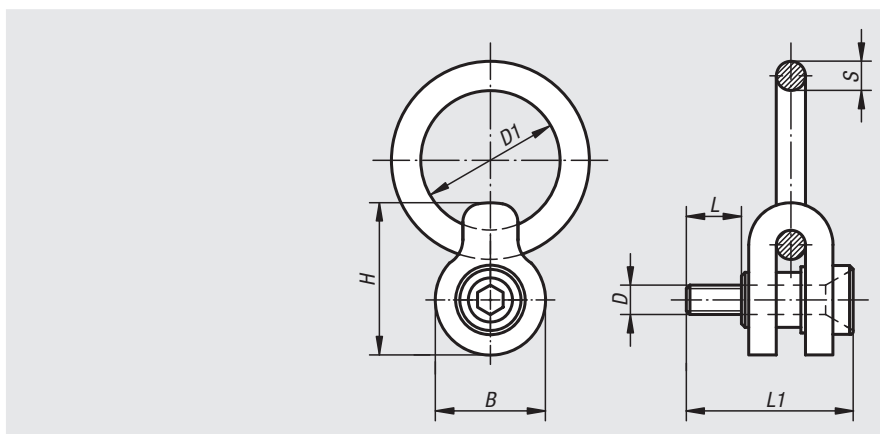
Note:
Every lifting ring undergoes an additional visual inspection after load testing (5x safety factor).
A safety data sheet for installation is included with every lifting ring.

Do not use spacer washers between the bush flange and support surface.

Tighten the screws to the stated torque and check and re-tighten regularly. After installation check if the ring swivels and turns freely in all directions.

Lift with care! Avoid impacts!

In no event must the permissible load stamped on the lifting ring be exceeded.



Order No.	D	D1	B	H	L	L1	S	max. permissible load kg	Tightening torque Nm
07750-08	M8	50,5	38	51	16	61	9,5	325	4,21
07750-10	M10	50,5	38	51	20	63	9,5	500	5,88
07750-12	M12	76	60	81	24	85	16	725	19,61
07750-16	M16	76	60	81	31	94	16	1400	34,32
07750-20	M20	101,5	95	125,5	40	133	25,5	2290	68,65
07750-24	M24	101,5	95	125,5	47	147	25,5	3050	122,6