

# Hoist rings 360° rotation

grade 10



**Material:**

Ring and attachment shackle steel.  
Bolt and bushing steel.

**Version:**

Ring and shackle forged, hardened and tempered. 100% electromagnetic crack detection, plastic-coating yellow.  
Bolt grade 10.9 or higher. 100% electromagnetic crack detection.  
Bush electro zinc-plated.

**Sample order:**

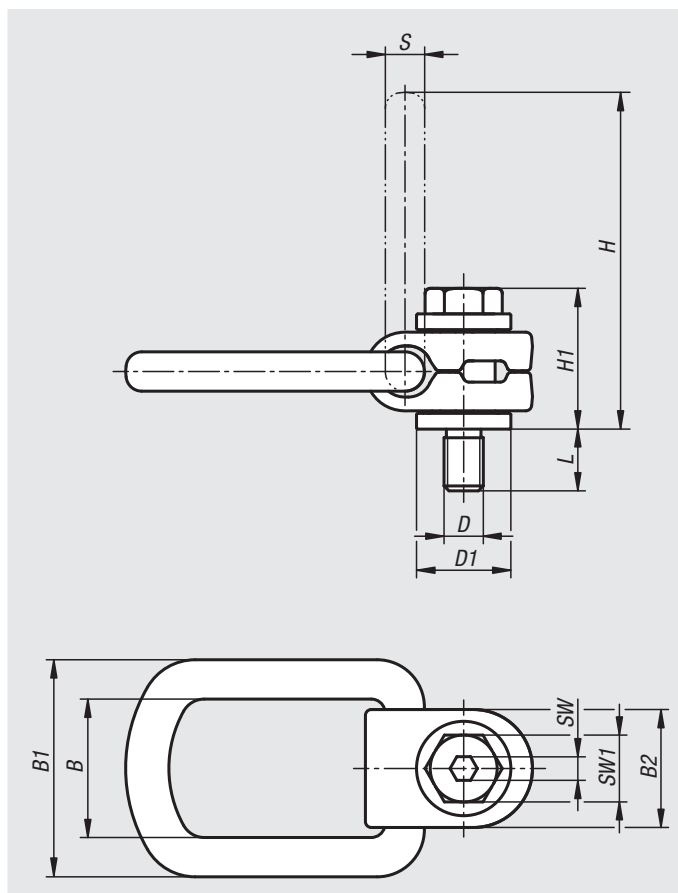
nIm 07725-08016

**Note:**

These hoist rings have full swivel and pivot action and can take the full load from any direction. An integrated spring holds the ring in any position. The working load limit is specified on the hoist ring. This applies to the most unfavourable load rating (see table). The test load is 2.5 times the maximum permissible load. With captive but removable hexagon screw. The hoist rings corresponding to the Machinery Directive and are BG certified.

**Temperature range:**

from -40 °C to 100 °C = 100% permissible load  
up to 200°C = 85% permissible load  
up to 250°C = 80% permissible load  
up to 350°C = 75% permissible load



The specified load values are valid for a minimum thread depth of 1.5x nominal thread diameter in steel with a minimum tensile strength of 363 N/mm<sup>2</sup>.

Maximum lifting weight "G" in kg for different sling types

Sling configuration	1		2		2		2		2		3 - 4		3 - 4		3 - 4	
	G	G	G	G	G	G	G	G	G	G	G	G	G	G	G	G
No. of slings	1	2	1	2	2	2	2	2	2	2	2	3 - 4	3 - 4	3 - 4	3 - 4	3 - 4
sling angle	0°	90°	0°	90°	0°-45°	45°-60°	asymmetric	0°-45°	45°-60°	asymmetric	0°-45°	45°-60°	asymmetric	0°-45°	45°-60°	asymmetric
M8	300	600	300	600	420	300	300	630	450	300	630	450	300	1320	950	630
M10	630	1260	630	1260	880	630	630	1320	950	630	1320	950	630	2100	1500	1000
M12	1000	2000	1000	2000	1400	1000	1000	2100	1500	1000	2100	1500	1000	3150	2250	1500
M16	1500	3000	1500	3000	2100	1500	1500	3150	2250	1500	3150	2250	1500	4725	3375	2250
M20	2500	5000	2500	5000	3500	2500	2500	5250	3750	2500	5250	3750	2500	7875	5625	3750
M24	4000	8000	4000	8000	5600	4000	4000	8400	6000	4000	8400	6000	4000	12600	9000	6000
M30	5000	10000	5000	10000	7000	5000	5000	10500	7500	5000	10500	7500	5000	15750	11250	7500
M36	7000	14000	7000	14000	9800	7000	7000	14700	10500	7000	14700	10500	7000	21000	15000	10500

Order No.	D	D1	B	B1	B2	H	H1	L	S	SW	SW1	max. permissible load kg	Tightening torque Nm
07725-08016	M8	24	35	55	30	85	35	11	10	6	13	300	30
07725-10021	M10	24	35	55	30	85	36	16	10	6	17	630	60
07725-12024	M12	31	37	57	33	98	44	18	13,5	8	19	1000	100
07725-16029	M16	31	37	57	33	98	46	24	13,5	10	24	1500	150
07725-20036	M20	45	54	82	50	140	57	34	16,5	12	30	2500	250
07725-24041	M24	45	54	82	50	140	59	36	16,5	14	36	4000	400
07725-30053	M30	59	65	99	60	170	81	48	22,5	17	46	5000	500
07725-36060	M36	59	65	99	60	172	76	55	22,5	22	55	7000	700