

Ring bolts

swivel and 360° rotatable, grade 8



Material:
Steel.

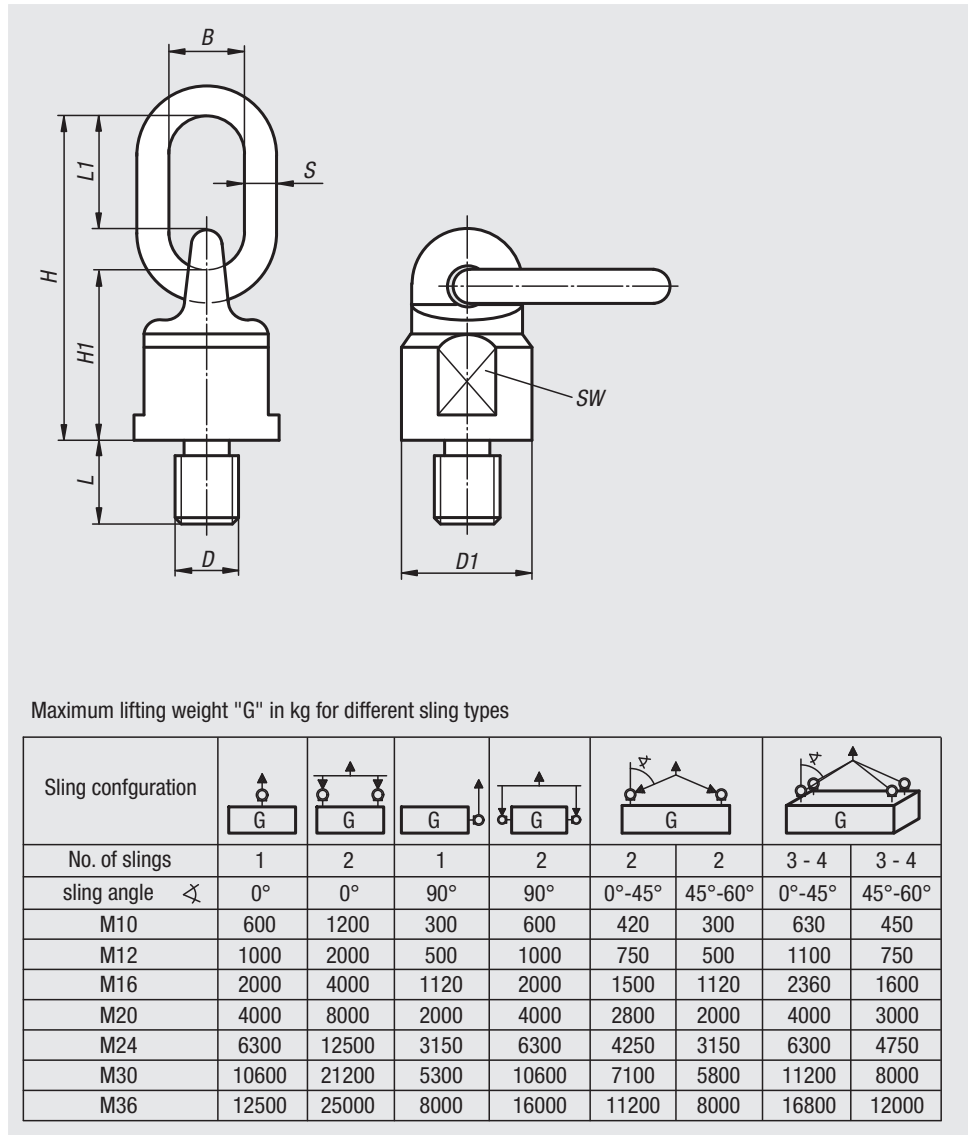
Version:
Quality class 8, ball bearing;
red plastic-coated

Sample order:
nlm 07710-1018

Note:
Compact and light design, full loading on all sides. 4x safety factor against breakage in all loading axis. Rotatable 360°. Link swivel range max. 180°. The ball bearing allows the ring to rotate even under load.

Lifting or securing loads, swivel rings have many uses.

For the loading capacity to be valid it must be ensured that the ring is in line with the load. The swivel face must lie flat on the support beam and the screw must always be screwed in fully.



Order No.	B	D	D1	H	H1	L	L1	S	SW	Permissible load kg
07710-1018	30	M10	38	105	50	18	46	13	30	300
07710-1218	30	M12	38	105	50	18	46	13	30	500
07710-1620	30	M16	38	105	50	20	46	13	30	1120
07710-2030	34	M20	50	131	61	30	57	16	40	2000
07710-2430	40	M24	58	153	68	30	70	19	48	3150
07710-3035	40	M30	75	165	80	35	65	20	65	5300
07710-3654	50	M36	85	205	95	54	90	22	75	8000