

Ring nuts

DIN 582

**Material:**

1.1141 steel, 1.4301 stainless steel or 1.4401 stainless steel.

Version:

Drop forged.
Steel, bright.
Steel electro zinc-plated.

Sample order:

nlm 07690-10

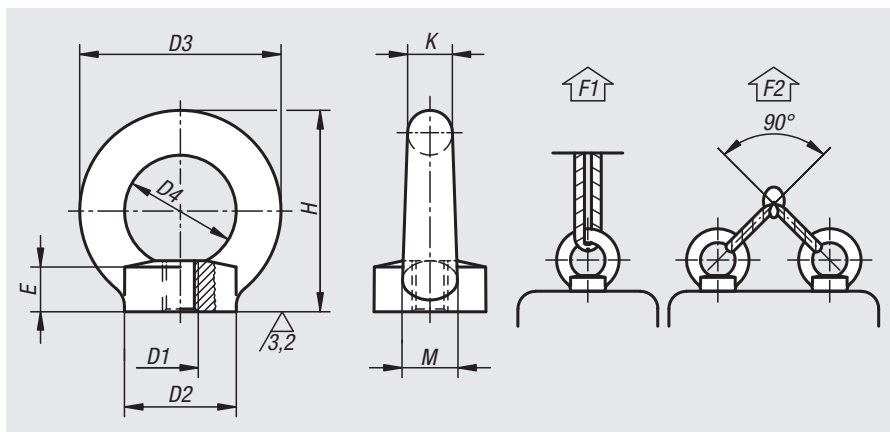
Note:

For high demand hoisting and carrying tasks in safety-relevant areas (machine construction, load handling equipment, lifting tackle).

The CE mark is impressed into the ring bolt.
F2 permissible load under max. 45° per ring bolt.

On request:

Certificate of conformity.



Order No. steel bright	Order No. steel galvanised	D1	D2	D3	D4	E	H	K	M	F1 max. kN	F2 max. kN
07690-08	07690-008	M8	20	36	20	8,5	36	8	10	1,4	0,95
07690-10	07690-010	M10	25	45	25	10	45	10	12	2,3	1,7
07690-12	07690-012	M12	30	54	30	11	53	12	14	3,4	2,4
07690-16	07690-016	M16	35	63	35	13	62	14	16	7	5
07690-20	07690-020	M20	40	72	40	16	71	16	19	12	8,3
07690-24	07690-024	M24	50	90	50	20	90	20	24	18	12,7

Order No. stainless steel 1.4301	Order No. stainless steel 1.4401	D1	D2	D3	D4	E	H	K	M	F1 max. kN	F2 max. kN
07690-108	07690-208	M8	20	36	20	8,5	36	8	10	1,4	0,95
07690-110	07690-210	M10	25	45	25	10	45	10	12	2,3	1,7
07690-112	07690-212	M12	30	54	30	11	53	12	14	3,4	2,4
07690-116	07690-216	M16	35	63	35	13	62	14	16	7	5
07690-120	07690-220	M20	40	72	40	16	71	16	19	12	8,3
07690-124	07690-224	M24	50	90	50	20	90	20	24	18	12,7