

Ring bolts

DIN 580

**Material:**

1.1141 steel, 1.4301 stainless steel or 1.4401 stainless steel.

Version:

Drop forged.
Steel, bright.
Steel electro zinc-plated.

Sample order:

nlm 07680-20

Note:

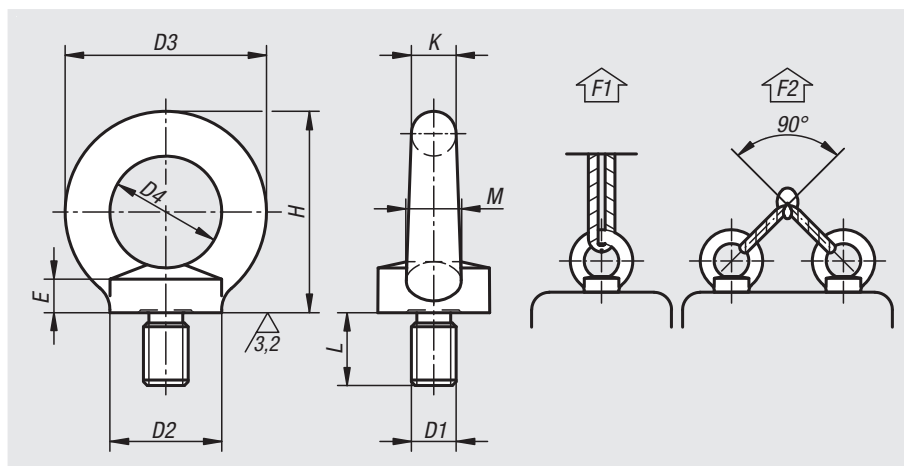
For high demand hoisting and carrying tasks in safety-relevant areas (machine construction, load handling equipment, lifting tackle).

The CE mark is impressed into the ring bolt.

F2 permissible load under max. 45° per ring bolt.

On request:

Certificate of conformity.



Order No. steel bright	Order No. steel galvanised	D1	L	D2	D3	D4	E	H	K	M	F1 max. kN	F2 max. kN
07680-08	07680-008	M8	13	20	36	20	6	36	8	10	1,4	0,95
07680-10	07680-010	M10	17	25	45	25	8	45	10	12	2,3	1,7
07680-12	07680-012	M12	20,5	30	54	30	10	53	12	14	3,4	2,4
07680-16	07680-016	M16	27	35	63	35	12	62	14	16	7	5
07680-20	07680-020	M20	30	40	72	40	14	71	16	19	12	8,3
07680-24	07680-024	M24	36	50	90	50	18	90	20	24	18	12,7

Order No. stainless steel 1.4301	Order No. stainless steel 1.4401	D1	L	D2	D3	D4	E	H	K	M	F1 max. kN	F2 max. kN
07680-108	07680-208	M8	13	20	36	20	6	36	8	10	1,4	0,95
07680-110	07680-210	M10	17	25	45	25	8	45	10	12	2,3	1,7
07680-112	07680-212	M12	20,5	30	54	30	10	53	12	14	3,4	2,4
07680-116	07680-216	M16	27	35	63	35	12	62	14	16	7	5
07680-124	07680-224	M24	36	50	90	50	18	90	20	24	18	12,7
07680-120	07680-220	M20	30	40	72	40	14	71	16	19	12	8,3