

# Studs

with screw-in stop for gluing in



## Material:

Steel or 1.4305 stainless steel

## Version:

Steel trivalent blue passivated.

Stainless steel, bright.

## Sample order:

nIm 07670-1040201

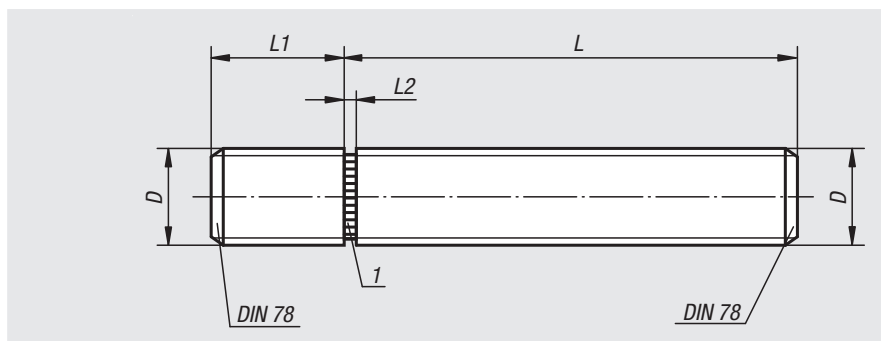
## Note:

Studs with screw-in stop have been designed especially for gluing-in. They allow mechanical connecting elements with external thread to be made cost-effectively for small and medium-sized series.

The LOCTITE products 638 and 648 (see 97990) have proven themselves in practice as successful bonding agents.

## Drawing reference:

1) screw-in stop



Order No. steel	Order No. stainless steel	D	L	L1	L2
07670-1040201	07670-1040202	M4	20	6	1
07670-1040301	07670-1040302	M4	30	6	1
07670-1040401	07670-1040402	M4	40	6	1
07670-1040501	07670-1040502	M4	50	6	1
07670-1050201	07670-1050202	M5	20	8	1
07670-1050301	07670-1050302	M5	30	8	1
07670-1050401	07670-1050402	M5	40	8	1
07670-1050501	07670-1050502	M5	50	8	1
07670-1050601	07670-1050602	M5	60	8	1
07670-1060201	07670-1060202	M6	20	9	1,5
07670-1060301	07670-1060302	M6	30	9	1,5
07670-1060401	07670-1060402	M6	40	9	1,5
07670-1060501	07670-1060502	M6	50	9	1,5
07670-1060601	07670-1060602	M6	60	9	1,5
07670-1080201	07670-1080202	M8	20	12	1,5
07670-1080301	07670-1080302	M8	30	12	1,5
07670-1080401	07670-1080402	M8	40	12	1,5
07670-1080501	07670-1080502	M8	50	12	1,5
07670-1080601	07670-1080602	M8	60	12	1,5
07670-1080801	07670-1080802	M8	80	12	1,5
07670-1100201	07670-1100202	M10	20	14	2
07670-1100301	07670-1100302	M10	30	14	2
07670-1100401	07670-1100402	M10	40	14	2
07670-1100501	07670-1100502	M10	50	14	2
07670-1100601	07670-1100602	M10	60	14	2
07670-1100801	07670-1100802	M10	80	14	2
07670-1120301	07670-1120302	M12	30	17	2
07670-1120401	07670-1120402	M12	40	17	2
07670-1120501	07670-1120502	M12	50	17	2
07670-1120601	07670-1120602	M12	60	17	2
07670-1120801	07670-1120802	M12	80	17	2
07670-1160301	07670-1160302	M16	30	22	2
07670-1160401	07670-1160402	M16	40	22	2
07670-1160501	07670-1160502	M16	50	22	2
07670-1160601	07670-1160602	M16	60	22	2
07670-1160801	07670-1160802	M16	80	22	2