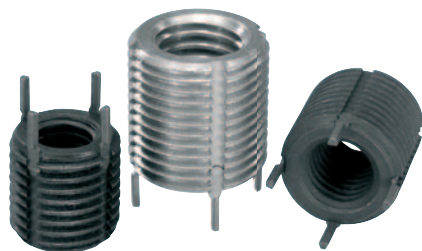


# Threaded inserts reinforced


**Material:**

Steel or stainless steel.

**Version:**

Passivated.

**Sample order:**

nIm 07661-12 reinforced threaded insert

nIm 07661-812 assembly tool

**Note:**

Reinforced threaded inserts allow threaded holes which have been damaged, torn out or jammed to be used again or to be repaired. This makes it possible to recover scrap and rejects of expensive products. Reinforced threaded inserts are suitable for use in various materials, including light metals and casting. Inserts with internal threads larger than M6 are supplied with four locking pins instead of two.

Permissible deviations:

The medium tolerance class applies to the threads listed, i.e. 6H for nut threads and 6g for bolt threads.

Other dimensions  $\pm 0.25$  mm.

With reinforced threaded inserts we also offer a version with a stronger cross-section for use in applications with greater stress.

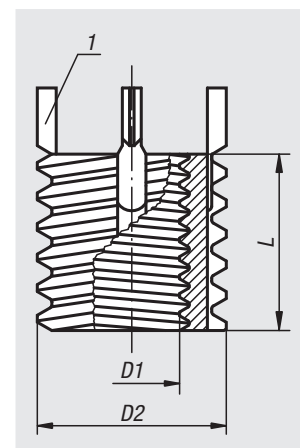
Technical information see operating instructions for threaded inserts.

**Advantages:**

- Quick and easy installation.
- The insert is fixed with pins in order to prevent torsion due to twisting or vibrations.
- No other special tools are required besides the assembly tool.

**Drawing reference:**

1) locking pin



Order No. steel	Order No. stainless steel	D1 internal thread	D2 external thread	L length	Core drill $\emptyset$	Counter- sink $\emptyset$ +0.25	Tap size	Min. thread depth	Removal drill $\emptyset$	Removal drilling depth	Order No. assembly tools
07661-04	07661-104	M4	M8	8	6,9	8,3	M8	9,5	5,5	4	07661-804
07661-05	07661-105	M5	M10x1,25	10	8,8	10,3	M10x1,25	12,5	7,5	4,8	07661-805
07661-06	07661-106	M6	M12x1,25	12	10,8	12,3	M12x1,25	14,5	9,5	4,8	07661-806
07661-08	07661-108	M8	M14x1,5	14	12,8	14,3	M14x1,5	16,5	11,5	4,8	07661-808
07661-08X1	07661-108X1	M8x1	M14x1,5	14	12,8	14,3	M14x1,5	16,5	11,5	4,8	07661-808
07661-10	07661-110	M10	M16x1,5	16	14,8	16,3	M16x1,5	18,5	13,5	4,8	07661-810
07661-10X125	07661-110X125	M10x1,25	M16x1,5	16	14,8	16,3	M16x1,5	18,5	13,5	4,8	07661-810
07661-12	07661-112	M12	M18x1,5	18	16,8	18,3	M18x1,5	20,5	15,5	4,8	07661-812
07661-12X125	07661-112X125	M12x1,25	M18x1,5	18	16,8	18,3	M18x1,5	20,5	15,5	4,8	07661-812
07661-14	07661-114	M14	M20x1,5	20	18,8	20,3	M20x1,5	22,5	17,5	4,8	07661-814
07661-14X15	07661-114X15	M14x1,5	M20x1,5	20	18,8	20,3	M20x1,5	22,5	17,5	4,8	07661-814
07661-16	07661-116	M16	M22x1,5	22	20,7	22,3	M22x1,5	24,5	17,8	6,4	07661-816
07661-16X15	07661-116X15	M16x1,5	M22x1,5	22	20,7	22,3	M22x1,5	24,5	17,8	6,4	07661-816
07661-18X15	07661-118X15	M18x1,5	M24x1,5	24	22,5	24,3	M24x1,5	26,5	19,8	6,4	07661-818
07661-20	07661-120	M20	M30x2	30	28	30,3	M30x2	34,5	25,8	6,4	07661-820
07661-20X15	07661-120X15	M20x1,5	M30x2	30	28	30,3	M30x2	34,5	25,8	6,4	07661-820
07661-22X15	07661-122X15	M22x1,5	M32x2	32	30	32,3	M32x2	36,5	27,8	6,4	07661-822
07661-24	07661-124	M24	M33x2	33	31	33,3	M33x2	37,5	28,8	6,4	07661-824
07661-24X2	07661-124X2	M24x2	M33x2	33	31	33,3	M33x2	37,5	28,8	6,4	07661-824