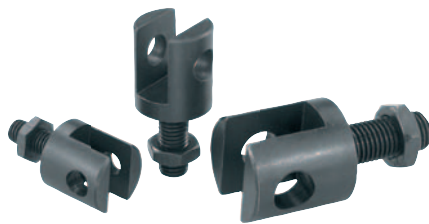


Clevis

with external thread



Material:

Carbon steel 1.1191 or stainless steel 1.4305.

Version:

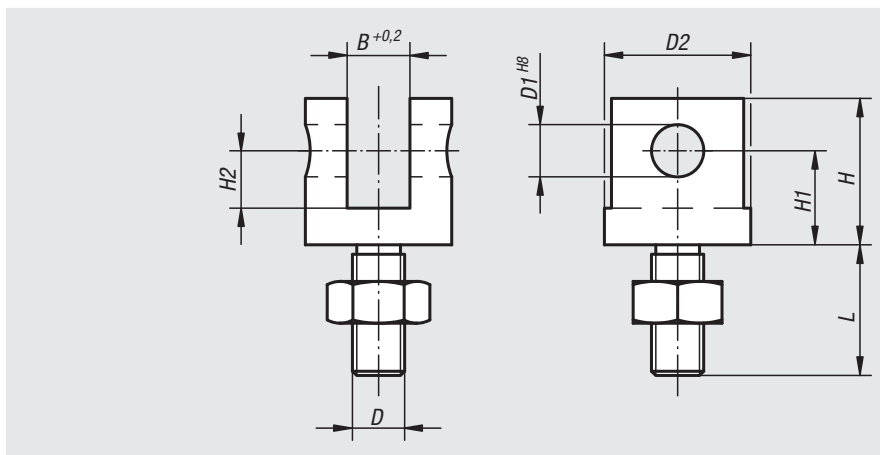
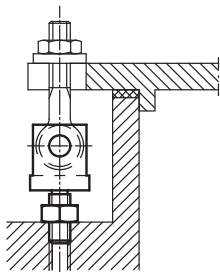
Carbon steel tempered and black oxidised.
Stainless steel bright.

Sample order:

nIm 07620-05

Note:

Suitable hinge pin, see 04250.



| Order No. | Main material | D | D1 | D2 | B | H | H1 | H2 | L |
|-----------|-------------------|-----|----|----|----|----|----|------|------|
| 07620-05 | high carbon steel | M5 | 5 | 12 | 6 | 16 | 10 | 7 | 14,5 |
| 07620-06 | high carbon steel | M6 | 6 | 16 | 7 | 19 | 12 | 8 | 15 |
| 07620-08 | high carbon steel | M8 | 8 | 20 | 9 | 23 | 15 | 10 | 20 |
| 07620-10 | high carbon steel | M10 | 10 | 28 | 12 | 28 | 18 | 11 | 25 |
| 07620-12 | high carbon steel | M12 | 12 | 30 | 14 | 34 | 21 | 13,5 | 30 |
| 07620-14 | high carbon steel | M14 | 14 | 36 | 16 | 37 | 23 | 15 | 35 |
| 07620-16 | high carbon steel | M16 | 16 | 40 | 17 | 42 | 26 | 17 | 40 |
| 07620-20 | high carbon steel | M20 | 18 | 50 | 22 | 52 | 32 | 21 | 50 |

Grub screws

DIN 551



Material:

Steel.

Version:

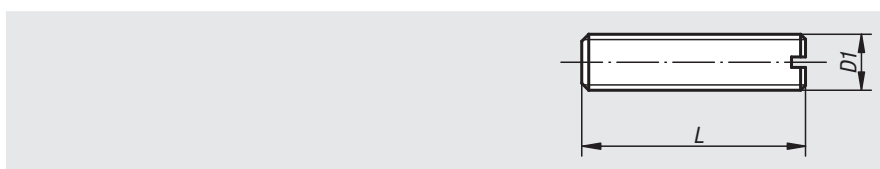
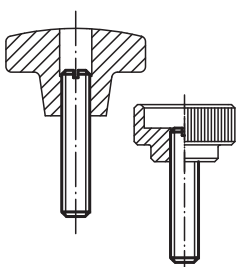
Bright, grade 5.8.

Sample order:

nIm 07630-10X40 (include length L)

Note:

A solid joint between grub screw and counter-piece can often be made more cost-effectively by gluing it. The LOCTITE products are especially suitable for this. See 97990.



| Order No. | D1 | L |
|-----------|-----|-----------------------------|
| 07630-06X | M6 | 20/25/30/35/40/45/50/60/70 |
| 07630-08X | M8 | 25/30/35/40/45/50/60/70/80 |
| 07630-10X | M10 | 25/30/35/40/45/50/60/70/80 |
| 07630-12X | M12 | 30/35/40/45/50/60/70/80/100 |
| 07630-16X | M16 | 30/35/40/45/50/60/70/80/100 |
| 07630-20X | M20 | 40/50/60/70/80/90/100 |