

07540

Shoulder screws

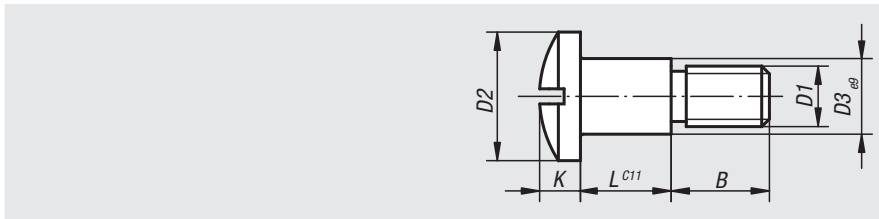
with slotted domed head



Material:
Carbon steel.

Version:
Black oxidised.

Sample order:
nlm 07540-10

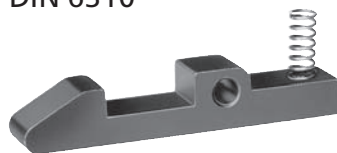


Order No.	D1	D2	D3	L	B	K
07540-06	M6	14	8	10,2	9,89	6
07540-08	M8	18	10	12,2	11,8	7
07540-10	M10	22	12	14,2	14,8	9
07540-12	M12	22	14	16,2	15,8	9

07560

Snapper catch with spring

DIN 6310

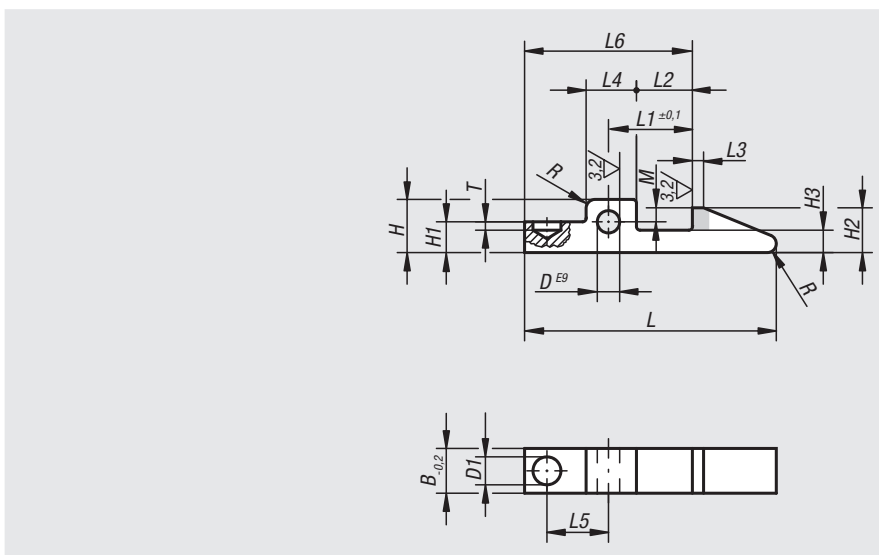
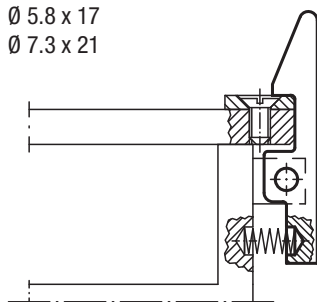


Material:
Carbon steel 1.2067

Version:
Black oxidised, snapper nose hardened (see grey region).

Sample order:
nlm 07560-02

Note:
The spring is supplied.
Spring dimensions:
Ø 4.8 x 14
Ø 5.8 x 17
Ø 7.3 x 21



Order No.	B	D	D1	H	H1	H2	H3	L	L1	L2	L3	L4	L5	L6	T	R	M
07560-01	8	4	5	9,5	5,5	8	4	45	15	10	2	9	11	30	1,5	1,6	2,5
07560-02	10	5	6,3	12	7	10	5	60	20	14	3	11	15	40	3	2,5	3
07560-03	14	6	8	15	9	14	7	80	30	22	5	14	23	60	5	4	5