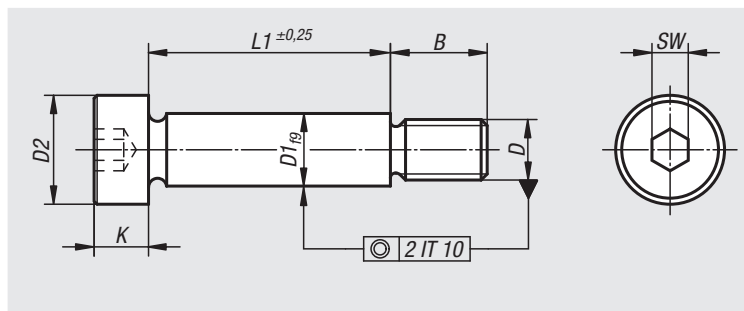


Shoulder screws

similar to DIN ISO 7379



Material:

Steel or stainless steel (A 2)

Version:

Grade 12.9. Shaft OD ground and bright.
Bright stainless steel or tempered steel.

Sample order:

nIm 07534-06X20 (include length L1)

Note:

Hexagon socket head shoulder screws are precision construction elements for many applications. As they can simplify complicated constructions, they are frequently chosen as the most cost-effective solution. Shoulder screws provide the decisive rationalising effect required today.

Order No.	Main material	D1	D	D2	B	K	SW	L1
07534-04X	steel	4	M3	7	7	3	2	6/8/10/12/16/20
07534-05X	steel	5	M4	9	8	4	2,5	8/10/16/20/30/40
07534-06X	steel	6	M5	10	9,5	4,5	3	16/20/25/30/40/50/60
07534-08X	steel	8	M6	13	11	5,5	4	16/20/25/30/40/50/60
07534-10X	steel	10	M8	16	13	7	5	16/20/25/30/40/50/60/70/80
07534-12X	steel	12	M10	18	16	9	6	16/20/25/30/40/50/60/70/80/90/100
07534-16X	steel	16	M12	24	18	11	8	30/40/50/60/70/80/90/100/120
07534-20X	steel	20	M16	30	22	14	10	30/40/50/60/70/80/90/100/120
07534-104X	stainless steel	4	M3	7	7	3	2	6/8/10/16/20
07534-105X	stainless steel	5	M4	9	8	4	2,5	8/10/16/20/30/40
07534-106X	stainless steel	6	M5	10	9,5	4,5	3	16/20/25/30/40/50/60
07534-108X	stainless steel	8	M6	13	11	5,5	4	16/20/25/30/40/50/60
07534-110X	stainless steel	10	M8	16	13	7	5	16/20/25/30/40/50/60/70/80
07534-112X	stainless steel	12	M10	18	16	9	6	16/20/25/30/40/50/60/70/80/90/100
07534-116X	stainless steel	16	M12	24	18	11	8	30/40/50/60/70/80/90/100/120
07534-120X	stainless steel	20	M16	30	22	14	10	30/40/50/60/70/80/90/100/120