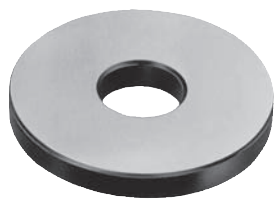


Spacer washers ground


Material:

Carbon steel.

Version:

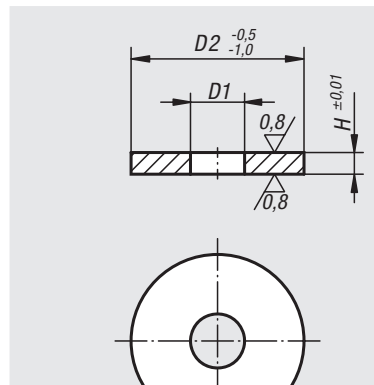
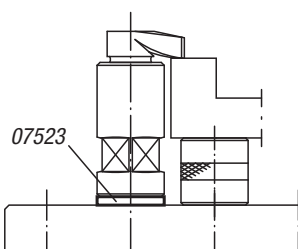
Tempered, black oxidised.
Contact faces ground.

Sample order:

nIm 07523-16005

Note:

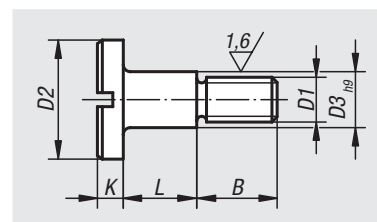
The spacing washer is used to alter the clamping range of hook clamps and hook holders. When a spacing washer is inserted between the base and the hook holder or riser cylinder it prevents damage to the support face.



Order No.	D1	D2	H
07523-08003	9	24	3
07523-08005	9	24	5
07523-08008	9	24	8
07523-12001	12,5	40	1
07523-12003	12,5	40	3
07523-12005	12,5	40	5
07523-16001	16,5	50	1
07523-16003	16,5	50	3
07523-16005	16,5	50	5
07523-16105	16,5	60	5

Shoulder screws with slotted flat head

DIN 923


Material:

Steel.

Version:

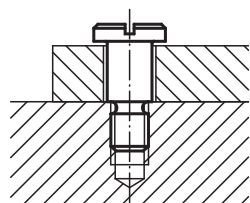
Black oxidised, grade 5.8.

Sample order:

nIm 07530-08

Note:

For use with captive C-washers 07520.



Order No.	D1	D2	D3	L	B	K
07530-06	M6	13	8	10 +0,15/+0,07	9	3,1
07530-08	M8	16	10	12 +0,2/+0,1	11	3,8
07530-10	M10	20	13	16 +0,2/+0,1	13,5	4,6