

## Spherical levelling washers

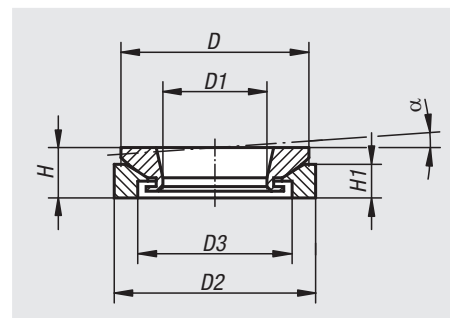
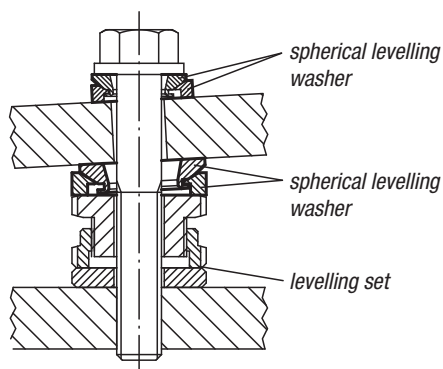


**Material:**  
Steel 1.7225.  
Stainless steel 1.4305.

**Version:**  
Steel trivalent blue passivated.  
Stainless steel, bright.

**Sample order:**  
nlm 07460-401

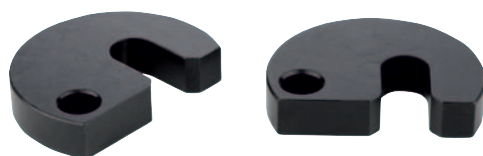
**Note:**  
Spherical levelling washers are for exact positioning when mounting up to 4° inclined surfaces. A second spherical levelling washer is recommended as support to correct the bolt angle if the angle of D3 is > 1°. The two washers cannot be detached from each other.



Order No. steel	Order No. stainless steel	H	H1	D	D1	D2	D3	α
07460-151	07460-152	8	5,5	23	8,5	25	15	4°
07460-201	07460-202	10	6,2	30	13	32	20	4°
07460-301	07460-302	12,5	9	40	20	45	30	4°
07460-401	07460-402	16	13	52	29	58	38	4°
07460-501	07460-502	20	14	65	36	70	48	4°

## C-washers captive

DIN 6371

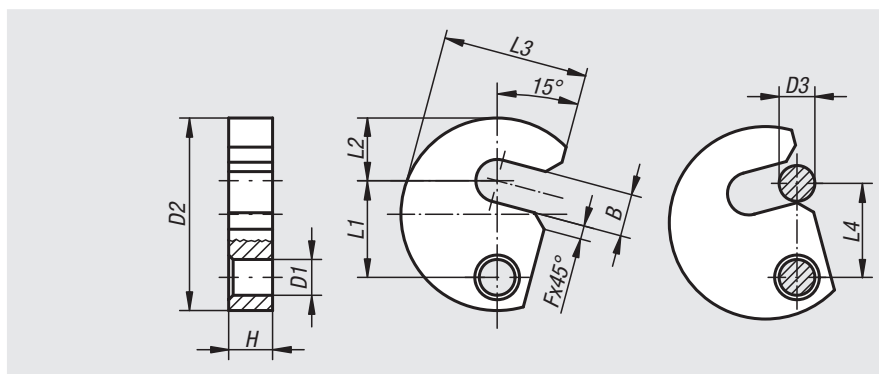


**Material:**  
Carbon steel 1.0760.

**Version:**  
Nitrided and black oxidised.

**Sample order:**  
nlm 07520-12

**Note:**  
07520-14 is not a DIN standard.  
For suitable shoulder screws see 07530.



Order No.	B	D1	D2	D3	F	H	L1	L2	L3	L4
07520-06	7,5	9	38	6	3	9,8	19,6	11	29	19
07520-08	9,5	9	43	8	3	9,8	21,6	14	32,5	21
07520-10	11,5	9	48	10	3	9,8	23,6	17	36,5	23
07520-12	13,5	11	61	12	3	11,8	29,6	22	45	29
07520-14	15,5	11	65	14	3	11,8	31,6	23	49	31
07520-16	17,5	11	68	16	3	11,8	33,6	25	50	33
07520-20	21,5	11	74	20	4	11,8	36,6	28	55	36

