

Item description/product images



Description

Material:

Steel or stainless steel 1.4301.

Version:

Spherical washer steel, case-hardened, hardening depth min. 0.2 mm.

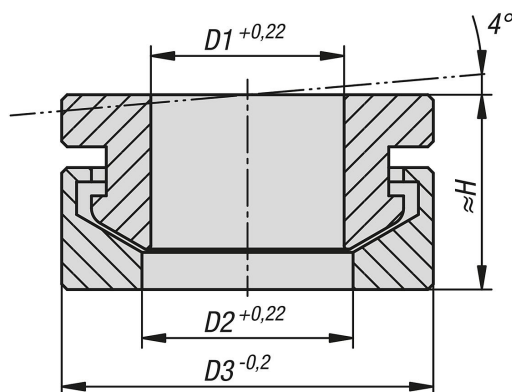
Conical seat steel, hardened and tempered.

Note:

Spherical washer and conical seat form a firmly connected and captive unit. Quick and easy assembly.

The overall height is greater than the individual parts in accordance with DIN 6319.

Drawings



Overview of items

Order No.	Main material	D1	D2	D3	H	G	Load rating max. kN (static load only)
07420-10-061	steel	6,4	7,4	13	7	M6	9
07420-10-081	steel	8,4	9,7	17	8,5	M8	17
07420-10-101	steel	10,5	12	21	10,4	M10	26
07420-10-121	steel	13	14,2	25	13,1	M12	38
07420-10-161	steel	17	19,7	32	17	M16	73
07420-10-201	steel	21	24,6	40	20,3	M20	117
07420-10-241	steel	25	29,4	48	24,8	M24	168
07420-10-301	steel	31	36,9	60	31,5	M30	269
07420-10-062	stainless steel A2	6,4	7,4	13	7	M6	6
07420-10-082	stainless steel A2	8,4	9,7	17	8,5	M8	12
07420-10-102	stainless steel A2	10,5	12	21	10,4	M10	16
07420-10-122	stainless steel A2	13	14,2	25	13,1	M12	24
07420-10-162	stainless steel A2	17	19,7	32	17	M16	45
07420-10-202	stainless steel A2	21	24,6	40	20,3	M20	71
07420-10-242	stainless steel A2	25	29,4	48	24,8	M24	105
07420-10-302	stainless steel A2	31	36,9	60	31,5	M30	191

