

Clamping force intensifiers


Material:

Bearing housing steel.

Version:

Black oxidised.

Sample order:

nIm 07415-06

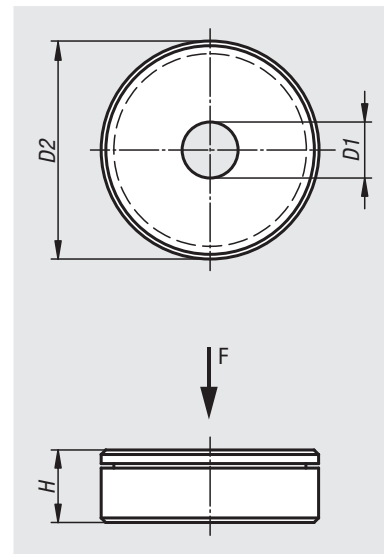
Note:

As a rule, the clamping force intensifier is used together with tightening or clamping elements. The integrated axial needle roller thrust bearing unit can achieve ca. twice the clamping force by the same lever length.

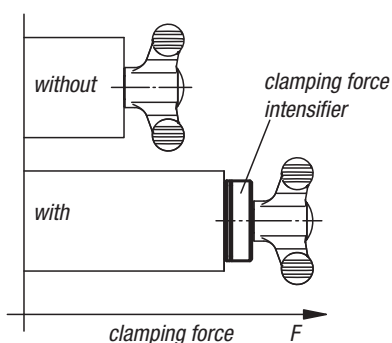
Advantages:

The component surface is protected by the stationary lower ring. The higher preload force causes a lower tendency for material relaxation in the thread.

Clamping levers, wing and star grips, knurled knobs or hexagonal and socket head screws etc. can be used as tightening or clamping elements.



With constant torque



Order No.	D1	D2	H	Dynamic load rating N	Static load rating N
07415-06	6	24	8	6800	15500
07415-08	8	25	8	7800	19400
07415-10	10	30	8	9200	25500
07415-12	12	35	8	9900	29000