

C-washers

DIN 6372 enhanced

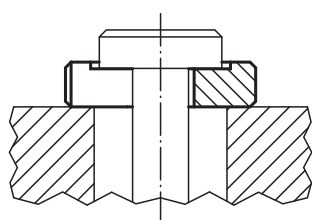
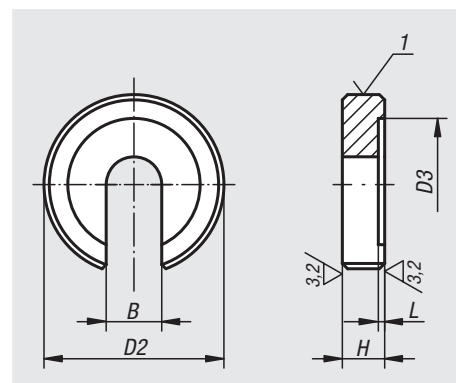


Material:
Carbon steel.

Version:
Tempered and black oxidised.

Sample order:
nlm 07380-12

Drawing reference:
1) cross knurl



Order No.	B	D2	D3	H	L
07380-05	5,25	17	12	5	0,75
07380-06	6,4	22	16	6	0,8
07380-08	8,4	28	21	7	1
07380-10	10,5	34	25	8	1,2
07380-12	13	40	30	9	1,8
07380-14	14,5	48	33	12	1,8
07380-16	17	56	37	12	1,8
07380-20	21	64	45	14	2
07380-24	25	75	52	16	2
07380-30	31	90	65	18	2
07380-36	37	100	75	20	2,5