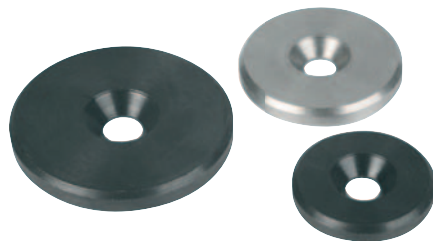


Handwheel washers


Material:

Steel 1.0718.

Stainless steel 1.4305.

Version:

Steel black oxidised.

Stainless steel bright.

Sample order:

nIm 07375-00416

Note:

These washers are used together with DIN EN ISO 2009 or DIN EN ISO 10642 countersunk screws on the end of shafts with keyways to secure handwheels and crank handles.

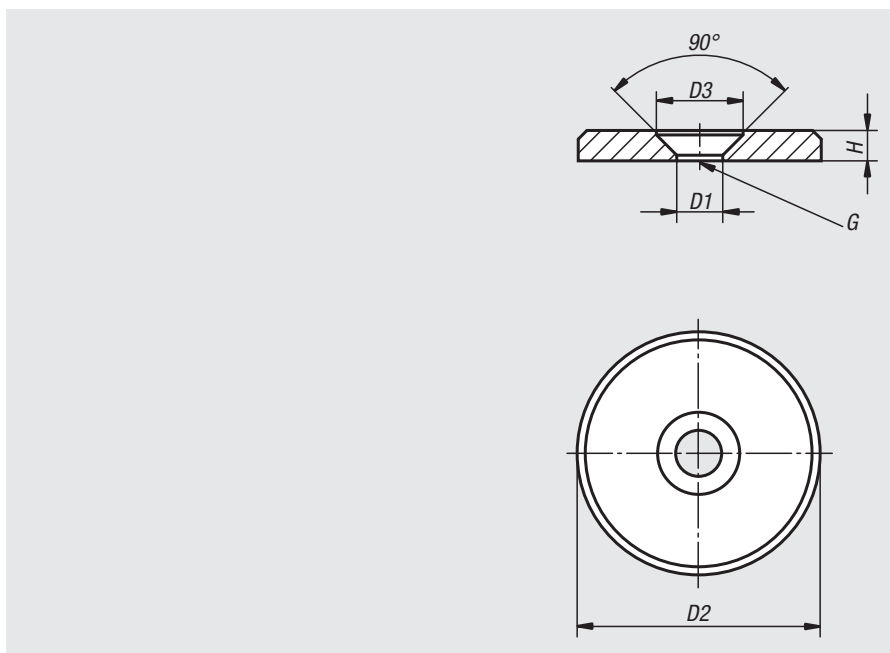
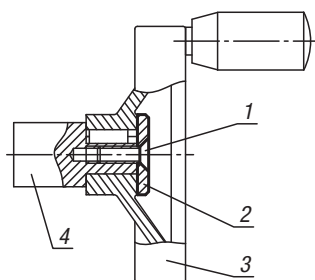
The washers can be used with the handwheels 06262, 06263, 06264, 06265, 06271, 06273, 06275, 06277, 06279, 06287, 06288 and crank handles 06500, 06502.

The steel washers can be used as counterparts to magnets.

Drawing reference:

D3 = for countersunk screw ISO 2009 and ISO 10642

- 1) countersunk screw ISO 2009 and ISO 10642
- 2) washer
- 3) handwheel
- 4) shaft



Order No. steel	Order No. stainless steel	D1	D2	D3	H	G
07375-00310	07375-10310	3,2	10	6	2	M3
07375-00313	07375-10313	3,2	13	6	2	M3
07375-00416	07375-10416	4,3	16	8,4	3	M4
07375-00420	07375-10420	4,3	20	8,4	3	M4
07375-00520	07375-10520	5,3	20	10	3,5	M5
07375-00522	07375-10522	5,3	22	10	3,5	M5
07375-00525	07375-10525	5,3	25	10	3,5	M5
07375-00528	07375-10528	5,3	28	10	3,5	M5
07375-00630	07375-10630	6,4	30	12	4	M6
07375-00632	07375-10632	6,4	32	12	4	M6
07375-00636	07375-10636	6,4	36	12	4	M6
07375-00640	07375-10640	6,4	40	12	5	M6
07375-00645	07375-10645	6,4	45	12	6	M6
07375-00652	07375-10652	6,4	52	12	6	M6