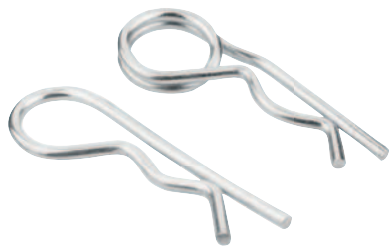


R-clips

similar to DIN 11024



Material:

Steel or stainless steel 1.4310.

Version:

Steel electro zinc-plated.

Stainless steel bright.

Sample order:

nlm 07337-11200

Note:

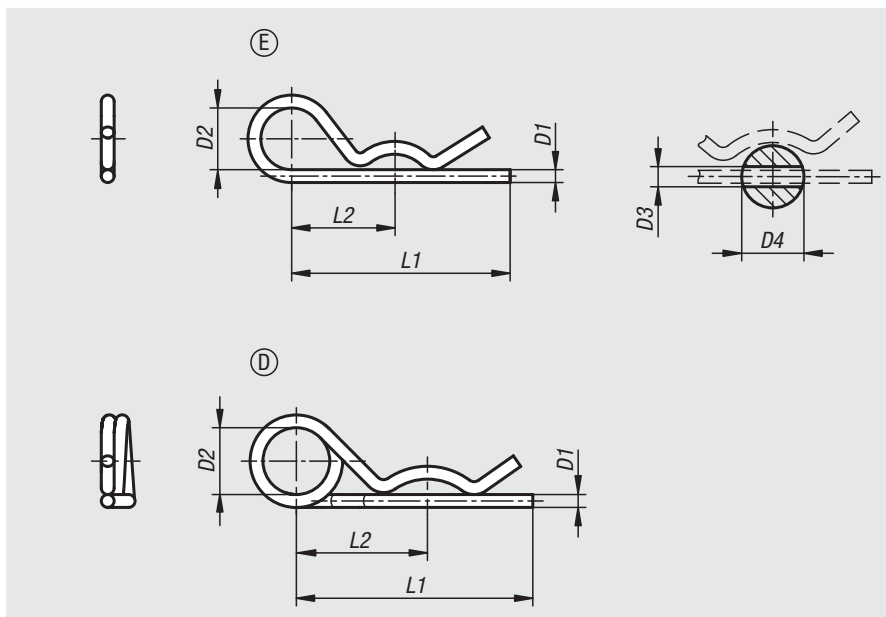
R-clips are used for securing bolts and axles. They are easy to install and can be reused. The ends have no sharp edges.

Double coil R-clips have a flatter spring characteristics and are easier to install. The double coil allows a tether cable to be attached to prevent loss.

Drawing reference:

Form E: with single coil.

Form D: with double coil (coil direction can differ from the drawing).



Order No.	Form	Main material	D1	D2	D3	D4=for screw Ø	L1	L2
07337-11200	E	steel	2	10	2,5	9-14	50	25
07337-11300	E	steel	3	18	3,5	10-16	60	28
07337-11400	E	steel	4	20	4,5	16-20	60	30
07337-11500	E	steel	5	24	6	20-28	85	40
07337-11600	E	steel	6	30	7	28-40	105	50
07337-11700	E	steel	7	30	8	28-45	105	50
07337-21200	E	stainless steel	2	10	2,5	7-8	40	25
07337-21250	E	stainless steel	2,5	11	3	10-16	46	24
07337-21300	E	stainless steel	3	16	3,5	16-18	60	34
07337-21400	E	stainless steel	4	19	4,5	18-20	64	36
07337-21500	E	stainless steel	5	26	6	20-28	82	45
07337-21600	E	stainless steel	6	30	7	28-40	110	60

Order No.	Form	Main material	D1	D2	D3	D4=for screw Ø	L1	L2
07337-12225	D	steel	2,25	20	2,5	9-11,2	42	24
07337-12280	D	steel	2,8	20	3,2	11,2-14	48	26
07337-12360	D	steel	3,6	20	4	14-20	64	32
07337-12450	D	steel	4,5	25	5	20-26	80	39
07337-12560	D	steel	5,6	25	6,3	26-34	97	45
07337-12630	D	steel	6,3	30	7	34-45	125	56
07337-12700	D	steel	7	30	8	45-56	150	63
07337-22225	D	stainless steel	2,25	20	2,5	7-9	42	24
07337-22280	D	stainless steel	2,8	20	3,2	11-14	48	26
07337-22360	D	stainless steel	3,6	20	4	14-20	64	32
07337-22450	D	stainless steel	4,5	25	5	20-26	80	39
07337-22560	D	stainless steel	5,6	25	6,3	26-34	97	45