

Circlips E-type

DIN 6799

**Material:**

Spring steel or 1.4122 stainless steel.

Version:Spring steel electro zinc-plated.
Stainless steel bright.**Sample order:**

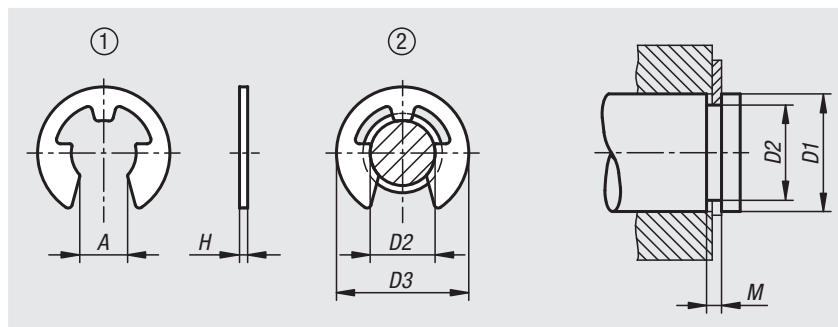
nlm 07332-0230

Note:E-type circlips are pushed into a groove on a shaft.
They are DIN 6799 standard elements and are designed for use on small shafts.

Nominal size = groove ID D2

Drawing reference:

- 1) loose
- 2) on shaft



| Order No. stainless steel | Order No. steel | A | D1 | D2 | D3 | H | M |
|------------------------------|--------------------|-------|-------|-----|------|-----|------|
| 07332-0151 | - | 1,28 | 2-2,5 | 1,5 | 4,25 | 0,4 | 0,44 |
| 07332-0191 | - | 1,61 | 2,5-3 | 1,9 | 4,8 | 0,5 | 0,54 |
| 07332-0231 | 07332-0230 | 1,94 | 3-4 | 2,3 | 6,3 | 0,6 | 0,64 |
| 07332-0321 | 07332-0320 | 2,7 | 4-5 | 3,2 | 7,3 | 0,6 | 0,64 |
| 07332-0401 | 07332-0400 | 3,34 | 5-7 | 4 | 9,3 | 0,7 | 0,74 |
| 07332-0501 | 07332-0500 | 4,11 | 6-8 | 5 | 11,3 | 0,7 | 0,74 |
| 07332-0601 | 07332-0600 | 5,26 | 7-9 | 6 | 12,3 | 0,7 | 0,74 |
| 07332-0701 | 07332-0700 | 5,84 | 8-11 | 7 | 14,3 | 0,9 | 0,94 |
| 07332-0801 | 07332-0800 | 6,52 | 9-12 | 8 | 16,3 | 1 | 1,05 |
| 07332-0901 | 07332-0900 | 7,63 | 10-14 | 9 | 18,8 | 1,1 | 1,15 |
| 07332-1001 | 07332-1000 | 8,32 | 11-15 | 10 | 20,4 | 1,2 | 1,25 |
| 07332-1201 | 07332-1200 | 10,45 | 13-18 | 12 | 23,4 | 1,3 | 1,35 |