

Washers for clamps

steel or aluminium DIN 6340



Material:

Steel or EN AW-7022

Version:

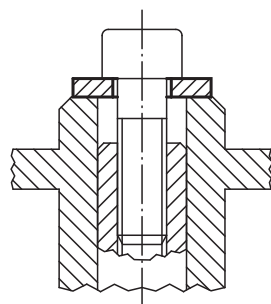
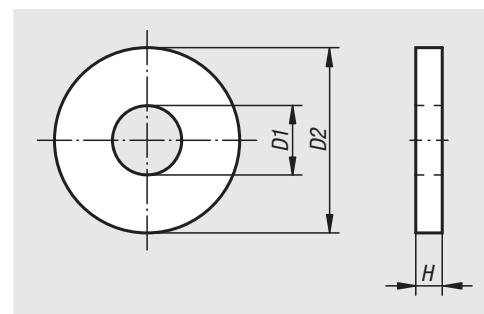
Stamped steel: pressed flat and tempered to 1200-1400 N/mm², black.

Turned steel: black oxidised.

Turned aluminium: anodised.

Sample order:

nIm 07320-16



Order No. steel	Order No. Aluminium	Order No. steel turned	D1	D2	H	for screw
07320-06	07320-206	07320-306	6,4	17	3	M6
07320-08	07320-208	07320-308	8,4	23	4	M8
07320-10	07320-210	07320-310	10,5	28	4	M10
07320-12	07320-212	07320-312	13	35	5	M12
07320-14	07320-214	07320-314	15	40	5	M14
07320-16	07320-216	07320-316	17	45	6	M16
07320-18	07320-218	07320-318	19	45	6	M18
07320-20	07320-220	07320-320	21	50	6	M20
07320-22	07320-222	-	23	50	8	M22
07320-24	07320-224	-	25	60	8	M24
07320-30	07320-230	-	31	68	10	M30
07320-36	07320-236	-	38	80	10	M36