

Wedge lock washers

DIN 25201


Material:

Steel or stainless steel.

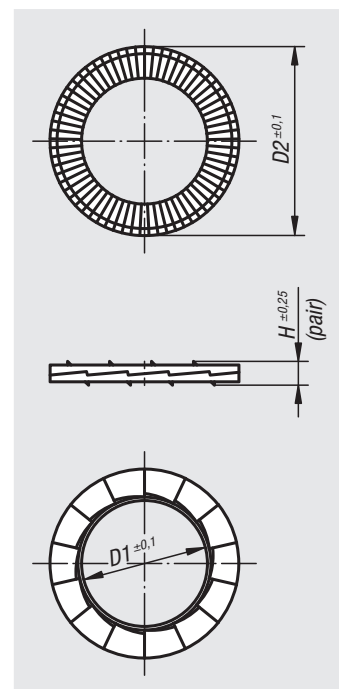
Version:
Steel electro zinc-plated, hardness ≥ 465 HV 1.
Stainless steel hardness ≥ 520 HV 0.05.
Sample order:

nlm 07310-0817261

Note:

These lock washers ensure that bolts and screws subjected to transverse loads, chattering or vibrations do not work loose. A joint is also secure at low levels of tension. If the bolt (nut) tends to loosen independently in bolted joints under dynamic stress, the bolt (nut) carries its positive-locking washer with it, the sloped surfaces of which run directly up against the angled surfaces of the counter-washer. In other words, the more a bolted joint tries to loosen itself, the more securely the wedge action of the washer blocks the attempt.

Supplied glued together in pairs.



Order No.	Main material	for screws	for screws inch	D1	D2	H
07310-030718	steel	M3	1/8	3,4	7	1,8
07310-050918	steel	M5	3/16	5,4	9	1,8
07310-061118	steel	M6	1/4	6,5	10,8	1,8
07310-081426	steel	M8	5/16	8,7	13,5	2,5
07310-101726	steel	M10	3/8	10,7	16,6	2,5
07310-122026	steel	M12	1/2	13	19,5	2,5
07310-162537	steel	M16	5/8	17	25,4	3,4
07310-182937	steel	M18	11/16	19,5	29	3,4
07310-203137	steel	M20	3/4	21,4	30,7	3,4
07310-030722	stainless steel	M3	1/8	3,4	7	2,2
07310-050922	stainless steel	M5	3/16	5,4	9	2,2
07310-061122	stainless steel	M6	1/4	6,5	10,8	2,2
07310-081422	stainless steel	M8	5/16	8,7	13,5	2,2
07310-101722	stainless steel	M10	3/8	10,7	16,6	2,2
07310-122022	stainless steel	M12	1/2	13	19,5	2,2
07310-162532	stainless steel	M16	5/8	17	25,4	3,2
07310-182932	stainless steel	M18	11/16	19,5	29	3,2
07310-203132	stainless steel	M20	3/4	21,4	30,7	3,2
07310-040918	steel	M4	5/32	4,4	9	1,8
07310-061426	steel	M6	1/4	6,5	13,5	2,5
07310-0817261	steel	M8	5/16	8,7	16,6	2,5
07310-1021261	steel	M10	3/8	10,7	21	2,5
07310-1225371	steel	M12	1/2	13	25,4	3,4
07310-1631371	steel	M16	5/8	17	30,7	3,4
07310-040922	stainless steel	M4	5/32	4,4	9	2,2
07310-061422	stainless steel	M6	1/4	6,5	13,5	2,2
07310-081722	stainless steel	M8	5/16	8,7	16,6	2,2
07310-122532	stainless steel	M12	1/2	13	25,4	3,2
07310-163132	stainless steel	M16	5/8	17	30,7	3,2