

Item description/product images



Description

Material:

Steel, stainless steel A2 or stainless steel A4.

Version:

Steel electro zinc-plated or bright.

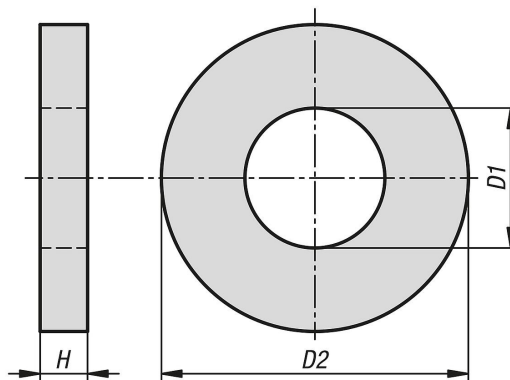
Stainless steel A2, bright.

Stainless steel A4, bright.

Note:

Washers for bolts with heavy-duty clamping sleeves are DIN standard washers. They are suitable for bolts that are machined with heavy-duty clamping sleeves, as they are exceptionally thick.

Drawings



Overview of items

Order No.	Main material	Surface finish body	D1	D2	H	for screws
07305-05-030	steel	bright	3,2	9	1	M3
07305-05-040	steel	bright	4,3	12	1,6	M4
07305-05-050	steel	bright	5,3	15	2	M5
07305-05-060	steel	bright	6,4	17	3	M6
07305-05-080	steel	bright	8,4	21	4	M8
07305-05-100	steel	bright	10,5	25	4	M10
07305-05-120	steel	bright	13	30	6	M12
07305-05-140	steel	bright	15	36	6	M14
07305-05-160	steel	bright	17	40	6	M16
07305-05-180	steel	bright	19	44	8	M18
07305-05-200	steel	bright	21	44	8	M20
07305-05-220	steel	bright	23	50	8	M22
07305-05-240	steel	bright	25	50	10	M24
07305-05-270	steel	bright	28	60	10	M27
07305-05-300	steel	bright	31	68	10	M30
07305-05-031	steel	galvanised	3,2	9	1	M3
07305-05-041	steel	galvanised	4,3	12	1,6	M4
07305-05-051	steel	galvanised	5,3	15	2	M5
07305-05-061	steel	galvanised	6,4	17	3	M6
07305-05-081	steel	galvanised	8,4	21	4	M8
07305-05-101	steel	galvanised	10,5	25	4	M10
07305-05-121	steel	galvanised	13	30	6	M12
07305-05-141	steel	galvanised	15	36	6	M14
07305-05-161	steel	galvanised	17	40	6	M16
07305-05-181	steel	galvanised	19	44	8	M18
07305-05-201	steel	galvanised	21	44	8	M20

Overview of items

Order No.	Main material	Surface finish body	D1	D2	H	for screws
07305-05-221	steel	galvanised	23	50	8	M22
07305-05-241	steel	galvanised	25	50	10	M24
07305-05-271	steel	galvanised	28	60	10	M27
07305-05-301	steel	galvanised	31	68	10	M30
07305-05-1030	stainless steel A2	bright	3,2	9	1	M3
07305-05-1040	stainless steel A2	bright	4,3	12	1,6	M4
07305-05-1050	stainless steel A2	bright	5,3	15	2	M5
07305-05-1060	stainless steel A2	bright	6,4	17	3	M6
07305-05-1080	stainless steel A2	bright	8,4	21	4	M8
07305-05-1100	stainless steel A2	bright	10,5	25	4	M10
07305-05-1120	stainless steel A2	bright	13	30	6	M12
07305-05-1140	stainless steel A2	bright	15	36	6	M14
07305-05-1160	stainless steel A2	bright	17	40	6	M16
07305-05-1180	stainless steel A2	bright	19	44	8	M18
07305-05-1200	stainless steel A2	bright	21	44	8	M20
07305-05-1220	stainless steel A2	bright	23	50	8	M22
07305-05-1240	stainless steel A2	bright	25	50	10	M24
07305-05-6080	stainless steel A4	bright	8,4	21	4	M8
07305-05-6100	stainless steel A4	bright	10,5	25	4	M10
07305-05-6120	stainless steel A4	bright	13	30	6	M12
07305-05-6160	stainless steel A4	bright	17	40	6	M16
07305-05-6200	stainless steel A4	bright	21	44	8	M20
07305-05-6240	stainless steel A4	bright	25	50	10	M24