

Cap nut compact

in Hygienic DESIGN



Material:

Stainless steel 1.4404.

Version:

Polished.

Sample order:

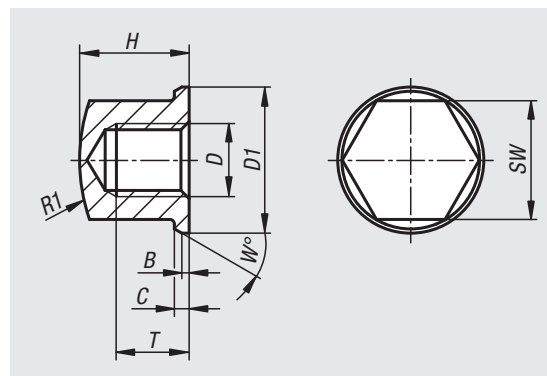
nIm 07280-04-08

Note:

The surface of the cap nut is polished and, with regard to design optimised for the use in hygienic environments. The top of the nut is spherical and the collar has a conical formed top face. The nut has been designed as a low version so as to keep troublesome corners as few as possible. Due to the extremely high quality surface finish of much less than Ra 0.8 μm , hardly any dirt particles adhere to the surface.

On request:

Inch threads, high versions.



Order No.	D	D1	B	C	H	R1	SW	T	W
07280-04-03	M3	6,8	0,25	0,5	4,95	8,8	5,5	3	20
07280-04-04	M4	9	0,3	0,8	6,5	10	7	4	30
07280-04-05	M5	10	0,5	1	7	16	8	4	30
07280-04-06	M6	12	0,8	1	9	16	10	6	30
07280-04-08	M8	16	0,8	1,6	12	20	13	8	30
07280-04-10	M10	20	1	2	14	32	16	10	30
07280-04-12	M12	24	1	2,5	16	35	19	11	30