

# Hexagon nuts

with spherical seat


**Material:**

Carbon steel or stainless steel.

**Version:**

Steel version:

tempered to 900 N/mm<sup>2</sup>, black oxidised.

Stainless steel version:

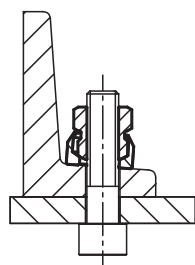
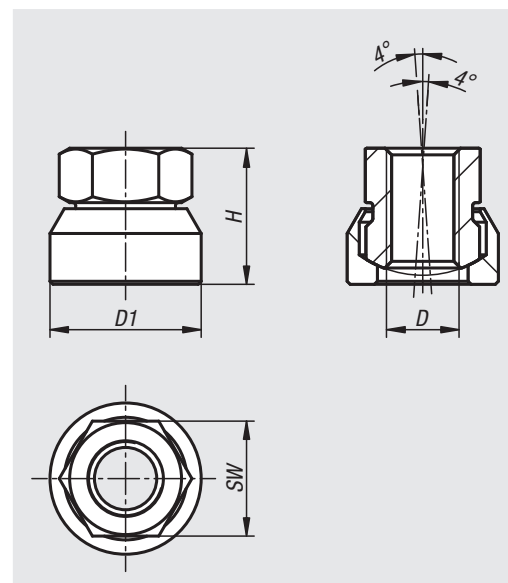
tempered to 900 N/mm<sup>2</sup>, bright.

**Sample order:**

nIm 07265-12

**Note:**

Captive components (one-piece).



Order No.	Main material	D	D1	H	SW
07265-08	steel	M8	18	15	13
07265-10	steel	M10	22	18,5	17
07265-12	steel	M12	25	22,5	19
07265-16	steel	M16	31	29	24
07265-808	stainless steel	M8	18	15	13
07265-810	stainless steel	M10	22	18,5	17
07265-812	stainless steel	M12	25	22,5	19
07265-816	stainless steel	M16	31	29	24