

Hexagon nuts

with no-loss washer



Material:

Hex nut and washer carbon steel.
Retaining ring PA 6 black.

Version:

Hexagonal nut and washer tempered, black oxidised.
Hexagonal nut grade 10.

Sample order:

nIm 07242-12

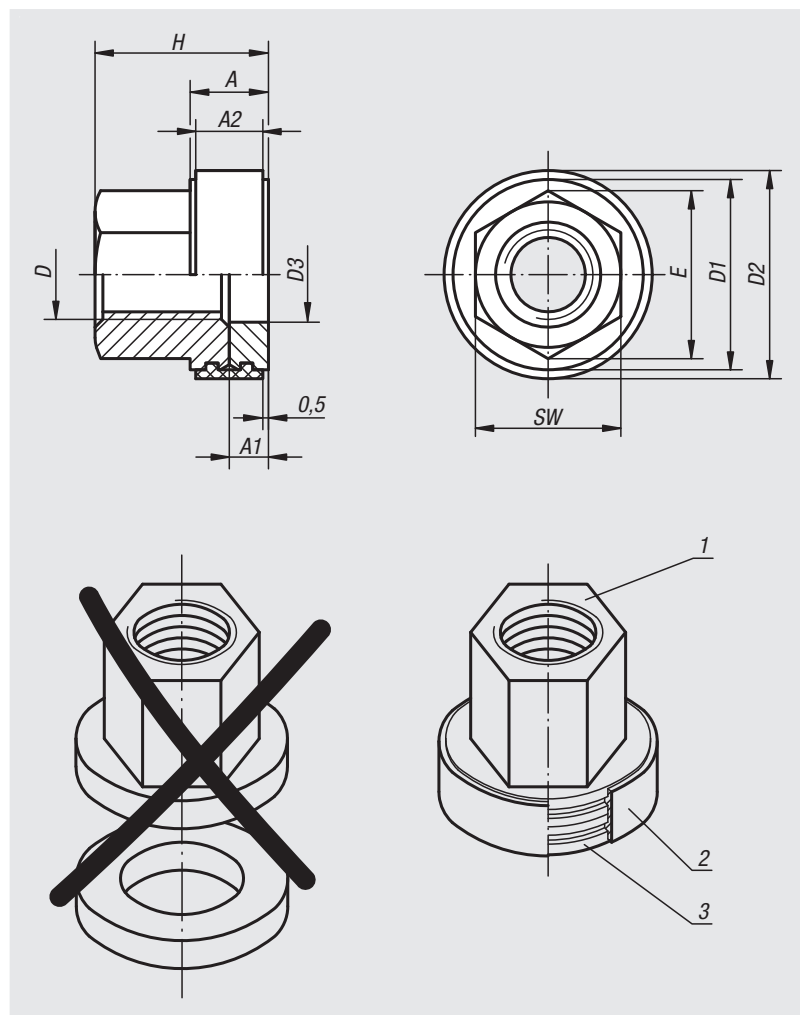
Advantages:

We bring together what belongs together. A nut and washer in a single unit.

- A compact unit.
- The washer is permanently attached to the hexagonal nut by a retaining ring.
- Components such as expensive special claw clamps, clamping disks, flanges etc. are protected by the hex nut with washer. The reduced wear leads to cost advantages.
- Other cost advantages in procurement - a single ordering process where previously two were required.

Drawing reference:

- 1) hexagonal nut
- 2) retaining ring
- 3) washer



Order No.	D	A	A1	A2	D1	D2	D3	E	H	SW
07242-08	M8	7	3,5	6	17	18,6	8,5	15	15,5	13
07242-10	M10	8	4	7	21	22,7	10,5	18,5	19	16
07242-12	M12	8	4	7	24	25,7	12,5	20,8	22	18
07242-16	M16	10	5	9	30	32	16,5	27,7	29	24
07242-20	M20	12	6	11	36	38	20,5	34,6	36	30
07242-24	M24	12	6	11	44	46	24,5	41,6	42	36