

Turnbuckle nuts

hexagonal DIN 1479



Material:
Steel.

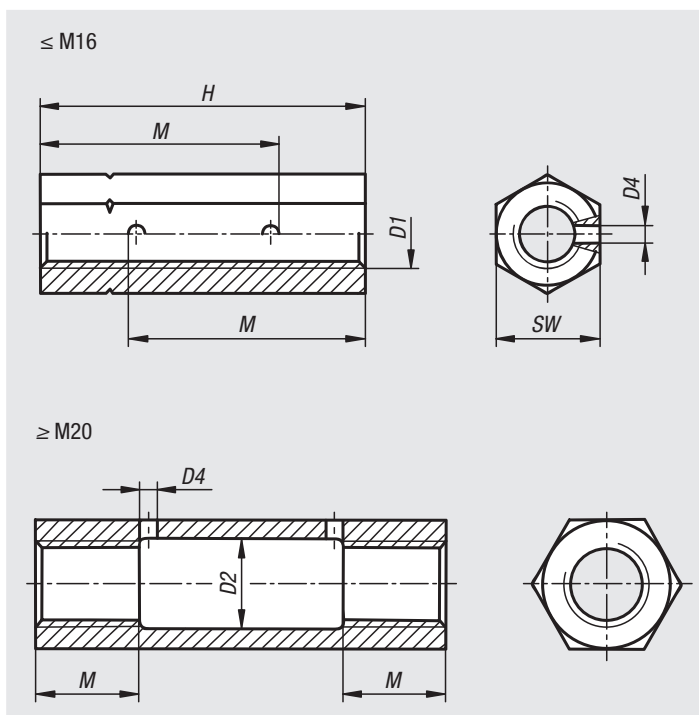
Version:
Electro zinc-plated.

Sample order:
nlm 07222-06

Note:
Turnbuckle nuts with hexagon. RH thread one end LH thread other end.

The turnbuckle nuts correspond to the specifications of the German Construction Products List (BRL) A and bear the Ü symbol (ÜZ – Certificate of compliance awarded by a recognised certification provider).

The core Ø of the female thread may be slightly larger, this does not affect the function.



Order No.	D1	D2	D4	H	M	SW	Load capacity N
07222-06	M6	-	4	30	22,5	10	3900
07222-08	M8	-	4	35	25	13	7200
07222-10	M10	-	4	45	33	17	11400
07222-12	M12	-	4	55	40	19	16500
07222-16	M16	-	4	75	55	24	30700
07222-20	M20	21	4	95	24	30	48000
07222-24	M24	26	4	115	29	36	69000
07222-30	M30	32	4	125	36	46	110000