

## Hexagon nuts with flange

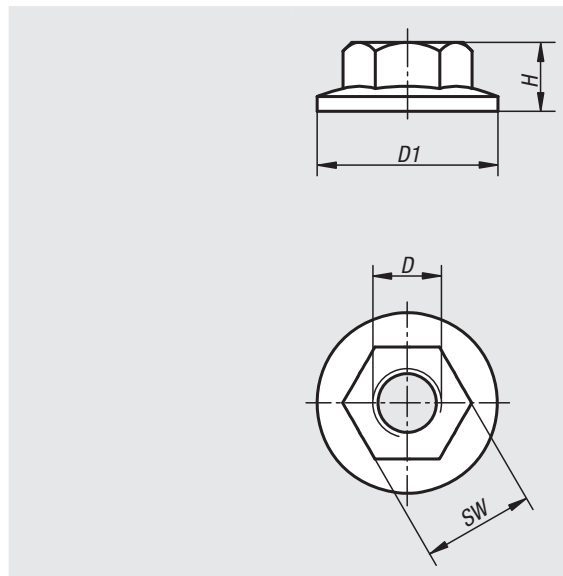


**Material:**  
Steel.

**Version:**  
Electro zinc-plated.

**Sample order:**  
nlm 07218-08

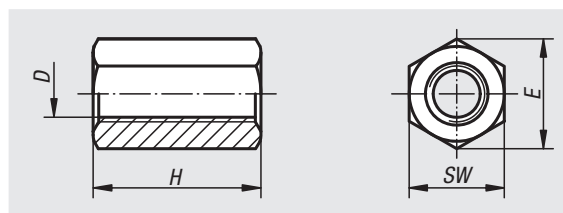
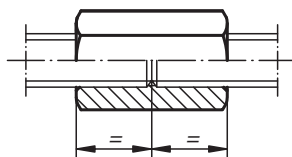
**Note:**  
Nut with a large collar. Ideal together with a hammer-head screw.



Order No.	Type	Slot width	D	D1	H	SW
07218-08	B	10	M8	21	8	13

## Extension nuts

height 3xD



**Material:**  
Carbon steel.

**Version:**  
Steel grade 10, black oxidised.

**Sample order:**  
nlm 07220-16

**Note:**  
For functional and safety reasons screws should be screwed into a maximum of half the nut height from both sides. Minimum thread depth 1x diameter.

**On request:**  
DIN ISO 272 spanner sizes.

Order No.	D	H = 3 x D	SW	E
07220-06	M6	18	10	11,5
07220-08	M8	24	13	15
07220-10	M10	30	17	19,6
07220-12	M12	36	19	21,9
07220-14	M14	42	22	25,4
07220-16	M16	48	24	27,7
07220-18	M18	54	27	31,2
07220-20	M20	60	30	34,6
07220-22	M22	66	32	36,9
07220-24	M24	72	36	41,6
07220-27	M27	81	41	47,3
07220-30	M30	90	46	53,1
07220-36	M36	108	55	63,5